

WM800 Dual Unit Charger PMPN4652_ User Guide

en-US

fr-CA

OCTOBER 2023

© 2023 Motorola Solutions, Inc. All Rights Reserved.



MN009517A01-AA

Safety and Legal

This section provides the safety and legal information for this product.

Intellectual Property and Regulatory Notices

Copyrights

The Motorola Solutions products described in this document may include copyrighted Motorola Solutions computer programs. Laws in the United States and other countries preserve for Motorola Solutions certain exclusive rights for copyrighted computer programs. Accordingly, any copyrighted Motorola Solutions computer programs contained in the Motorola Solutions products described in this document may not be copied or reproduced in any manner without the express written permission of Motorola Solutions.

No part of this document may be reproduced, transmitted, stored in a retrieval system, or translated into any language or computer language, in any form or by any means, without the prior written permission of Motorola Solutions, Inc.

Trademarks

MOTOROLA, MOTO, MOTOROLA SOLUTIONS, and the Stylized M Logo are trademarks or registered trademarks of Motorola Trademark Holdings, LLC and are used under license. All other trademarks are the property of their respective owners.

License Rights

The purchase of Motorola Solutions products shall not be deemed to grant either directly or by implication, estoppel or otherwise, any license under the copyrights, patents or patent applications of Motorola Solutions, except for the normal non-exclusive, royalty-free license to use that arises by operation of law in the sale of a product.

Open Source Content

This product may contain Open Source software used under license. Refer to the product installation media for full Open Source Legal Notices and Attribution content.

European Union (EU) and United Kingdom (UK) Waste of Electrical and Electronic Equipment (WEEE) Directive



The European Union's WEEE directive and the UK's WEEE regulation require that products sold into EU countries and the UK must have the crossed-out wheeled bin label on the product (or the package in some cases). As defined by the WEEE directive, this crossed-out wheeled bin label means that customers and end-users in EU and UK countries should not dispose of electronic and electrical equipment or accessories in household waste.

Customers or end-users in EU and UK countries should contact their local equipment supplier representative or service centre for information about the waste collection system in their country.

Disclaimer

Please note that certain features, facilities, and capabilities described in this document may not be applicable to or licensed for use on a specific system, or may be dependent upon the characteristics of a specific mobile

subscriber unit or configuration of certain parameters. Please refer to your Motorola Solutions contact for further information.

© 2023 Motorola Solutions, Inc. All Rights Reserved

Supplier's Declaration of Conformity

Supplier's Declaration of Conformity

Per FCC CFR 47 Part 2 Section 2.1077(a)



Responsible Party

Name: Motorola Solutions, Inc.

Address: 2000 Progress Pkwy, Schaumburg, IL. 60196

Phone Number: 1-800-927-2744

Hereby declares that the product:

Model Name: **Dual-Unit Charger**

conforms to the following regulations:

FCC Part 15, subpart B, section 15.107(a), and section 15.109(a)

Class B Digital Device

This device complies with Part 15 of the FCC Rules. Operation is subject to the following two conditions:

1. This device may not cause harmful interference, and
2. This device must accept any interference received, including interference that may cause undesired operation.



NOTE:

This equipment has been tested and found to comply with the limits for a Class B digital device, pursuant to part 15 of the FCC Rules. These limits are designed to provide reasonable protection against harmful interference in a residential installation. This equipment generates, uses and can radiate radio frequency energy and, if not installed and used in accordance with the instructions, may cause harmful interference to radio communications. However, there is no guarantee that interference will not occur in a particular installation.

If this equipment does cause harmful interference to radio or television reception, which can be determined by turning the equipment off and on, the user is encouraged to try to correct the interference by one or more of the following measures:

- Reorient or relocate the receiving antenna.
- Increase the separation between the equipment and receiver.
- Connect the equipment into an outlet on a circuit different from that to which the receiver is connected.
- Consult the dealer or an experienced radio or TV technician for help.

For Australia Only

This provision applies to products and services supplied by Motorola Solutions to consumers within the meaning of the Australian Consumer Law. This warranty is given by Motorola Solutions Australia Pty Limited (ABN16 004 742 312) of Tally Ho Business Park, 10 Wesley Court, Burwood East, Victoria. Our goods come with guarantees that cannot be excluded under the Australia Consumer Law. For major failures with the service, you are entitled:

- To cancel your service contract with us: and
- To a refund for the unused portion, or to compensation for its reduced value.

You are entitled to choose a replacement or refund for a major failure with goods. If a failure with the goods or service does not amount to a major failure, you are entitled to have the failure rectified in a reasonable time. If this is not done, you are entitled to a refund for the goods, and to cancel the contract for the service and obtain a refund of any unused portion. You are also entitled to be compensated for any other reasonably foreseeable loss or damage from a failure in the goods or service. If you have any queries, please call Motorola Solutions Australia at 1800 457 439. You may also visit our website: https://www.motorolasolutions.com/en_xa/support.html for current warranty terms.

Certification Marks



Contact Us

The Centralized Managed Support Operations (CMSO) is the primary contact for technical support included in your organization's service agreement with Motorola Solutions.

Service agreement customers should be sure to call the CMSO in all situations listed under Customer Responsibilities in their agreement, such as:

- To confirm troubleshooting results and analysis before taking action

Your organization received support phone numbers and other contact information appropriate for your geographic region and service agreement. Use that contact information for the most efficient response. However, if needed, you can also find general support contact information on the Motorola Solutions website, by following these steps:

1. Enter motorolasolutions.com in your browser.
2. Ensure that your organization's country or region is displayed on the page. Clicking or tapping the name of the region provides a way to change it.
3. Select "Support" on the motorolasolutions.com page.

Comments

Send questions and comments regarding user documentation to documentation@motorolasolutions.com.

Provide the following information when reporting a documentation error:

- The document title and part number
- The page number or title of the section with the error
- A description of the error

Motorola Solutions offers various courses designed to assist in learning about the system. For information, go to <https://learning.motorolasolutions.com> to view the current course offerings and technology paths.

Icon Conventions

The documentation set is designed to give the reader more visual clues. The following graphic icons are used throughout the documentation set.



DANGER: The signal word DANGER with the associated safety icon implies information that, if disregarded, will result in death or serious injury.



WARNING: The signal word WARNING with the associated safety icon implies information that, if disregarded, could result in death or serious injury, or serious product damage.



CAUTION: The signal word CAUTION with the associated safety icon implies information that, if disregarded, may result in minor or moderate injury, or serious product damage.

CAUTION: The signal word CAUTION may be used without the safety icon to state potential damage or injury that is not related to the product.



IMPORTANT: IMPORTANT statements contain information that is crucial to the discussion at hand, but is not CAUTION or WARNING. There is no warning level associated with the IMPORTANT statement.



NOTE: NOTICE contains information more important than the surrounding text, such as exceptions or preconditions. They also refer the reader elsewhere for additional information, remind the reader how to complete an action (when it is not part of the current procedure, for instance), or tell the reader where something is on the screen. There is no warning level associated with a notice.

Important Safety Instructions

This document contains important safety and operating instructions. Please read these instructions carefully and save them for future reference.

Before using the battery charger, read all the instructions and cautionary markings on the charger, the battery, and the radio using the battery.



WARNING:

- To reduce the risk of damage to the power cord, pull the plug rather than the cord when disconnecting power cord from the AC outlet or the charger.
- To reduce the risk of fire or electric shock, avoid using an extension cord. If an extension cord must be used, ensure that the cord size is 18 AWG for lengths of up to 100 ft (30.48 m), and 16 AWG for lengths up to 150 ft (45.72 m).
- To reduce the risk of fire, electric shock, or injury, do not operate the charger if it is broken or damaged in any way. Take it to a qualified Motorola Solutions service representative.
- To reduce the risk of fire or electric shock, do not disassemble the charger. It is not repairable and replacement parts are not available.
- To reduce the risk of electric shock, unplug the charger power adapter from the AC outlet before attempting any maintenance or cleaning.
- To reduce the risk of injury, charge only the rechargeable authorized batteries. Other batteries may explode, causing personal injury and damage.
- To reduce the risk of fire, electric shock, or injury, only use the accessories recommended by Motorola Solutions.
- Changes or modifications made to this device, not expressly approved by Motorola Solutions, could void the authority of the user to operate this equipment.

Operational Safety Guidelines

- This equipment is not suitable for outdoor use. Use only in dry locations or conditions.
- Connect the equipment only to an appropriately fused and wired supply of the correct voltage, as specified on the product.
- Disconnect from line voltage by removing the main plug from the outlet.
- The socket outlet to which this equipment is connected must be close by and easily accessible.
- Maximum ambient temperature around the charger must not exceed 40°C (104°F).
- Ensure that the cord is located in an area that is safe from being stepped on, tripped over, or subjected to water, damage, or stress.
- Output power from power supply unit must not exceed the ratings specified on the product label located on the bottom of the charger.

Contents

Safety and Legal	2
Intellectual Property and Regulatory Notices.....	2
Supplier's Declaration of Conformity.....	3
For Australia Only.....	4
Certification Marks.....	4
Contact Us	5
Icon Conventions	6
Important Safety Instructions	7
Operational Safety Guidelines	8
Chapter 1: Charger Overview	10
Chapter 2: Authorized Accessories	11
2.1 Motorola Solutions Authorized Battery.....	11
2.2 Motorola Solutions Authorized Chargers.....	11
2.3 Motorola Solutions Authorized Power Supplies.....	11
Chapter 3: Operating Instructions	12
3.1 Charging Indication.....	13
3.2 Troubleshooting.....	14

Chapter 1

Charger Overview

The Dual-Unit Charger can charge the WM800 RSM with battery, a stand-alone battery, or both.

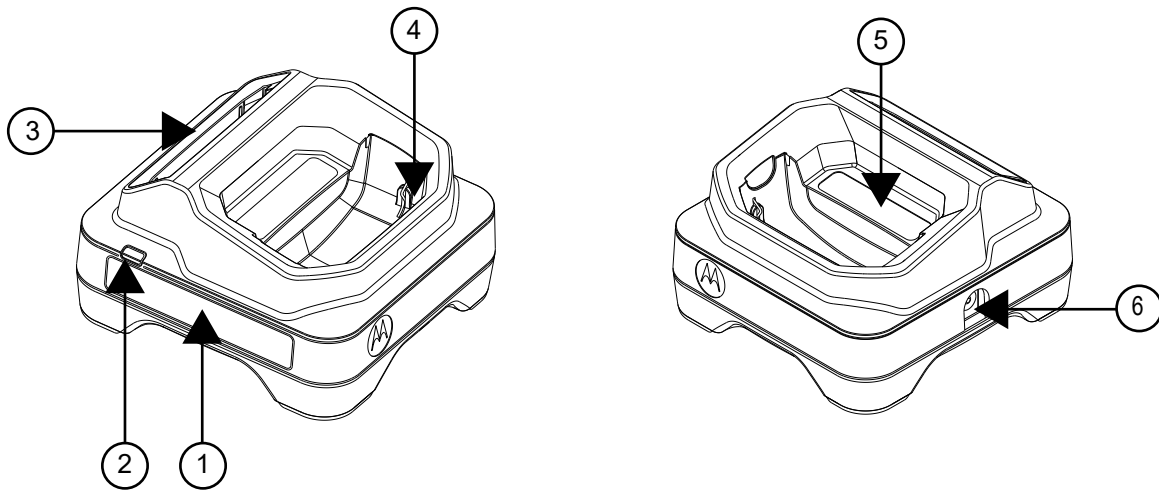


Table 1: WM800 Charger Overview

Item	Description
1	Charging Indicators Label
2	Charging Indicator for Battery
3	Battery charging pocket
4	RSM charging pocket
5	Battery Caution Label
6	Power supply input

Chapter 2

Authorized Accessories

This section list out authorized accessories to be used with your charger.

2.1 Motorola Solutions Authorized Battery

Table 2: Motorola Solutions Authorized Battery

Kit (Part Number)	Description
PMNN4846_	Battery Pack, Lithium-Ion UL DIV2 IP68 2150T

2.2 Motorola Solutions Authorized Chargers

Table 3: Motorola Solutions Authorized Chargers

Kit (Part Number)	Description
PMPN4652A	Dual-Unit Charger (DUC) Base
PMPN4653A	Dual-Unit Charger (DUC) with Power Supply (US Plug)
PMPN4564A	Dual-Unit Charger (DUC) with Power Supply (AU/NZ Plug)

2.3 Motorola Solutions Authorized Power Supplies

Table 4: Motorola Solutions Authorized Power Supplies

Power Supply	Description	Country Plug
PS000277A11	PS, Charger Switch Mode, 100–240 V	United States
PS000277A14	PS, Charger Switch Mode, 100–240 V	Australia/New Zealand

Chapter 3

Operating Instructions

The charger pockets accommodate WM800 RSM with an attached Motorola Solutions-approved battery or a Motorola Solutions-approved battery alone. Batteries charge best at room temperature.

Procedure:

1. Plug the charger end of the power supply cord into the power receptacle at the side of the charger.
2. Plug the wall receptacle end of the power supply cord into the appropriate AC outlet.
A single green blink on the charger indicator indicates successful power-up sequence.
3. Insert the device with a battery or a stand-alone battery into the charger pocket.
 - a. Align the WM800 RSM or battery contacts with the contacts in the charger pocket.
 - b. Press the radio or battery into the pocket to ensure complete contact between charger and radio or battery contacts.

Figure 1: Charging Battery

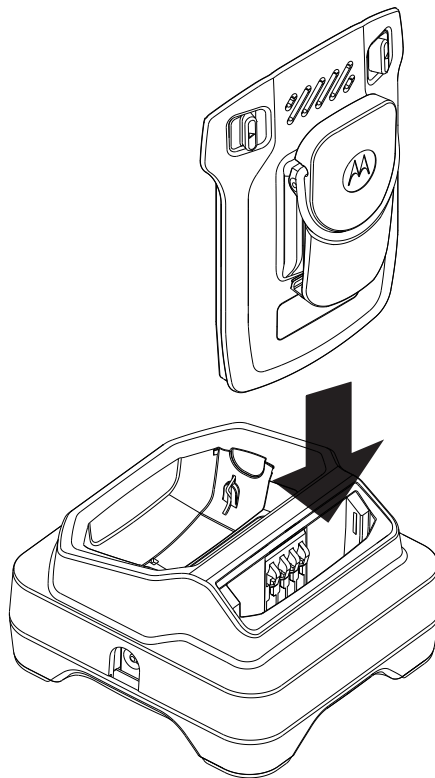
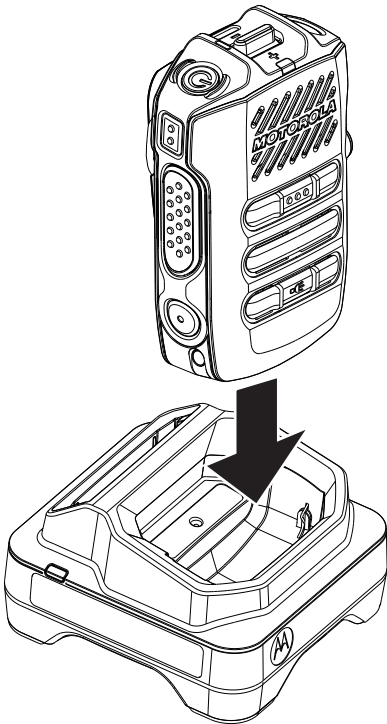





Figure 2: Charging Device with Battery







3.1
Charging Indication

The following table is only applicable when a stand-alone battery is charged in the battery charging pocket. When charging the battery with device, refer to the display and the LED charging indicator of the device.

Table 5: Charging Indication

LED Indication	Description
Green for approximately one second	Successful charger power-up.
	
Blinking Amber	<ul style="list-style-type: none"> Battery is in charger. Battery is waiting to be charged. Battery too hot or too cold
	
Blinking Red	<ul style="list-style-type: none"> Battery is unchargeable or not making proper contact. Under-Voltage Recovery Timeout(15 minutes) Excessive power supply voltage Thermistors short to ground
	
Steady Red	Battery in rapid charge mode.

LED Indication	Description
	
Blinking Green	Battery is charged to 90 % or greater capacity.
	
Steady Green	Battery is fully charged.
	
Off	No battery in pocket.
	

3.2 Troubleshooting

Table 6: Table 2: Troubleshooting

Problem	What to do...
No charger indication	<ul style="list-style-type: none">• Check that the RSM with battery, or the battery alone, is inserted correctly.• Make sure that the power cord is securely plugged into the charger and an appropriate AC outlet, and that there is power to the outlet.
Blinking Red Indication	<ul style="list-style-type: none">• Verify that the battery is a Motorola authorized battery. Other batteries may not charge.• Make sure that the power cord is securely plugged into the charger and an appropriate AC outlet, and that there is power to the outlet.• Remove the battery from the charger and re-start the charger.

Guide d'utilisation du chargeur double PMPN4652_ pour microphone haut-parleur distant WM800



Sécurité et aspect juridique

Cette section contient des informations sur la sécurité et l'aspect juridique pour ce produit.

Propriété intellectuelle et avis réglementaires

Droits d'auteur

Les produits Motorola Solutions décrits dans ce document peuvent inclure des programmes informatiques protégés par des droits d'auteur de Motorola Solutions. Les lois des États-Unis et d'autres pays réservent à Motorola Solutions certains droits exclusifs pour les programmes informatiques protégés par droits d'auteur. Par conséquent, tout programme informatique protégé par droits d'auteur de Motorola Solutions compris dans les produits Motorola Solutions décrits dans le présent document ne peut être copié ni reproduit de quelque manière que ce soit sans l'autorisation écrite expresse de Motorola Solutions.

Aucune partie du présent document ne peut être reproduite, transmise, stockée dans un système de recherche documentaire ou traduite dans une autre langue ou dans un langage informatique, sous quelque forme ou par quelque moyen que ce soit, sans l'autorisation écrite préalable de Motorola Solutions, Inc.

Marques de commerce

MOTOROLA, MOTO, MOTOROLA SOLUTIONS, and the Stylized M Logo are trademarks or registered trademarks of Motorola Trademark Holdings, LLC and are used under license. All other trademarks are the property of their respective owners.

Droits de licence

L'achat de produits Motorola Solutions ne peut être considéré comme une transaction octroyant directement, par inférence, estoppel ou autrement une licence en vertu des droits d'auteur, des droits de brevets ou d'une demande de brevet de Motorola Solutions, à l'exception d'une licence d'utilisation normale et non exclusive, libre de toute redevance, prévue par la loi lors de la vente d'un produit.

Contenu à code source libre

Ce produit peut contenir des logiciels libres utilisés sous licence. Reportez-vous au support d'installation du produit pour obtenir tous les avis juridiques relatifs aux logiciels libres et aux contenus d'attribution.

Directive sur la mise au rebut des équipements électriques et électroniques (DEEE) de l'Union européenne (UE) et du Royaume-Uni (RU)



La directive DEEE de l'Union européenne et les réglementations DEEE du Royaume-Uni exigent que les produits (ou leur emballage, dans certains cas) vendus dans les pays de l'UE ou au Royaume-Uni portent l'étiquette de la poubelle barrée. Comme le définit la directive DEEE, cette étiquette de poubelle barrée signifie que les clients et les utilisateurs finaux dans les pays de l'UE et du RU ne doivent pas jeter les équipements électriques et électroniques ou leurs accessoires dans les ordures domestiques.

Les clients ou les utilisateurs finaux dans les pays de l'UE et du RU doivent communiquer avec le représentant ou le centre de service local de leur fournisseur d'équipements pour obtenir des renseignements sur le système de collecte des déchets de leur pays.

Avis de non-responsabilité

Veillez noter que certaines fonctionnalités, installations et capacités décrites dans ce document pourraient ne pas s'appliquer ou être accordées sous licence pour l'utilisation sur un système particulier ou pourraient dépendre des caractéristiques d'une unité mobile d'abonné ou d'une configuration de certains paramètres. Veuillez consulter votre personne-ressource chez Motorola Solutions pour en savoir plus.

© 2023 Motorola Solutions, Inc. All Rights Reserved

Déclaration de conformité du fournisseur

Déclaration de conformité du fournisseur

Règlement CFR 47, partie 2, section 2.1077(a) de la FCC



Partie responsable

Nom : Motorola Solutions, Inc.

Adresse : 2000 Progress Pkwy, Schaumburg, IL. 60196

Numéro de téléphone : 1 800 927-2744

Déclare par les présentes que le produit :

Nom du modèle : **Chargeur double**

est conforme aux réglementations suivantes :

Partie 15, sous-partie B, section 15.107(a) et section 15.109(a) des règlements de la FCC

Appareil numérique de classe B

Cet appareil est conforme aux stipulations de la Partie 15 des règlements de la FCC. Son utilisation est assujettie aux deux conditions suivantes :

1. Cet appareil ne doit pas causer d'interférence nuisible; et

2. Cet appareil doit accepter toute interférence reçue, y compris les interférences pouvant entraîner un fonctionnement indésirable.



REMARQUE :

Cet équipement a fait l'objet de tests et a été déclaré conforme aux limites établies pour un appareil numérique de classe B, conformément à la section 15 des règlements de la FCC. Ces limites sont fixées afin d'offrir une protection suffisante contre des interférences nuisibles dans une installation résidentielle. Cet équipement génère, utilise et peut émettre de l'énergie de radiofréquence et, s'il n'est pas installé ou utilisé conformément aux instructions, il peut provoquer un brouillage nuisible aux communications radio. Cependant, il est impossible de garantir qu'il n'y aura aucune interférence dans une installation particulière.

Si cet appareil cause une interférence nuisible à la réception de la radio ou de la télévision, ce qui peut être déterminé en éteignant et en allumant l'appareil, vous êtes encouragé à remédier à la situation en prenant une ou plusieurs des mesures suivantes :

- Réorienter ou déplacer l'antenne réceptrice.
- Augmenter la distance entre l'équipement et le récepteur.
- Brancher l'appareil dans une autre prise sur un circuit différent de celui du récepteur.
- Consulter le distributeur ou un technicien de radio ou de télévision chevronné pour obtenir de l'aide.

Pour l'Australie seulement

Cette disposition s'applique aux produits et services fournis par Motorola Solutions aux consommateurs au sens de la Australian Consumer Law. Cette garantie est fournie par Motorola Solutions Australia Pty Limited (ABN16 004 742 312) of Tally Ho Business Park, 10 Wesley Court, Burwood East, Victoria. Nos produits comprennent des garanties qui ne peuvent pas être exclues en vertu de l'Australian Consumer Law. En cas de défaillance majeure du service, vous avez le droit :

- d'annuler votre contrat de service avec nous; et
- d'obtenir un remboursement de la partie inutilisée ou un dédommagement pour sa valeur réduite.

Vous avez le droit de choisir un remplacement ou un remboursement en cas de défaillance majeure des biens. Si le montant total de la défaillance des biens ou des services ne correspond pas à celui d'une défaillance majeure, vous avez le droit de faire corriger cette défaillance dans un délai raisonnable. Si ce n'est pas fait, vous avez droit à un remboursement pour les biens, à la résiliation du contrat pour le service et au remboursement de toute partie inutilisée. Vous avez également le droit d'être indemnisé pour toute autre perte ou tout dommage raisonnablement prévisible résultant d'une défaillance des biens ou des services. Si vous avez des questions, veuillez communiquer avec Motorola Solutions Australia au 1 800 457-439. Vous pouvez également visiter notre site Web : pour connaître les modalités de la garantie en vigueur, accédez à https://www.motorolasolutions.com/fr_ca/support.html.

Marques de certification



Communiquer avec nous

Le centre des opérations de soutien centralisé (« Centralized Managed Support Operations » ou CMSO) est le point de contact principal pour le soutien technique compris dans l'entente de service de votre organisation avec Motorola Solutions.

Les clients disposant d'ententes de service doivent s'assurer d'appeler le CMSO dans toutes les situations énumérées dans la section Responsabilités du client de leur entente de service, notamment :

- Pour confirmer les résultats du dépannage et de l'analyse avant de prendre des mesures

Votre entreprise a reçu les numéros de téléphone du soutien et d'autres coordonnées appropriées pour votre région géographique et votre entente de service. Utilisez ces informations pour obtenir la meilleure réponse possible. Cependant, si nécessaire, vous pouvez également trouver les coordonnées du soutien général sur le site Web de Motorola Solutions, en suivant les étapes ci-dessous :

1. Saisissez motorolasolutions.com dans votre navigateur.
2. Vous devez vous assurer que le pays ou la région de votre organisation se trouve sur la page. Cliquez ou appuyez sur le nom de la région pour la changer.
3. Sélectionnez « Soutien » à la page motorolasolutions.com.

Commentaires

Envoyez vos questions et commentaires concernant la documentation destinée aux utilisateurs à l'adresse documentation@motorolasolutions.com.

Pour signaler une erreur dans la documentation, veuillez fournir les renseignements suivants :

- Le titre du document et le numéro de la pièce
- Le numéro de la page ou le titre de la section contenant l'erreur
- Une description de l'erreur

Motorola offre plusieurs cours conçus pour vous aider à apprendre à utiliser le système. Pour en savoir davantage et consulter la liste des cours actuellement offerts ainsi que les cheminements technologiques, veuillez consulter <https://learning.motorolasolutions.com>.

Conventions des icônes

L'ensemble de documentation est conçu pour donner au lecteur plus d'indices visuels. Les icônes suivantes sont utilisées dans tout l'ensemble de documentation.



DANGER :

Le mot-indicateur DANGER avec l'icône de sécurité associée comprend de l'information qui, si elle est ignorée, peut entraîner la mort ou des blessures graves.



AVERTISSEMENT :

Le mot-indicateur AVERTISSEMENT avec l'icône de sécurité associée comprend de l'information qui, si elle est ignorée, peut entraîner la mort ou des blessures graves ou de graves dommages au produit.



MISE EN GARDE :

Le mot-indicateur MISE EN GARDE avec l'icône de sécurité associée comprend de l'information qui, si elle est ignorée, peut entraîner des blessures mineures ou modérées ou de graves dommages au produit.

CAUTIONNOICON :

Le mot-indicateur MISE EN GARDE peut être utilisé sans l'icône de sécurité pour signaler de possibles blessures ou dommages qui ne sont pas liés au produit.



IMPORTANT :

Les énoncés avec le mot-indicateur IMPORTANT contiennent de l'information cruciale sur le sujet abordé, mais ne sont pas des MISES EN GARDE ni des AVERTISSEMENTS. Aucun niveau d'avertissement n'est associé aux énoncés « IMPORTANT ».



REMARQUE :

Un AVIS contient des informations plus importantes que le texte avoisinant, comme des exceptions ou des conditions préalables. Les avis peuvent également renvoyer le lecteur ailleurs pour des renseignements supplémentaires, lui rappeler comment effectuer une action (lorsqu'elle ne fait pas partie de la présente procédure, par exemple) ou lui dire où se trouve quelque chose à l'écran. Aucun niveau d'avertissement n'est associé à un avis.

Instructions importantes sur la sécurité

Ce document contient d'importantes instructions sur la sécurité et le fonctionnement de l'appareil. Veuillez lire attentivement ces instructions et les conserver pour vous y référer ultérieurement.

Avant d'utiliser le chargeur de batterie, lisez toutes les instructions et tous les marquages d'avertissement sur le chargeur, la batterie et la radio associée à la batterie.



AVERTISSEMENT :

- Pour réduire les risques d'endommagement du cordon d'alimentation, tirez sur la fiche et non sur le cordon au moment de le débrancher de la prise c.a. ou du chargeur.
- Pour réduire les risques d'incendie ou de décharge électrique, évitez d'utiliser une rallonge électrique. Si une rallonge doit être utilisée, assurez-vous que le format du cordon est de calibre 18 lorsque sa longueur est de 30,48 m (100 pi) ou moins et de calibre 16 lorsque sa longueur atteint jusqu'à 45,72 m (150 pi).
- Pour réduire les risques d'incendie, de décharge électrique ou de blessure, n'utilisez pas le chargeur s'il est brisé ou endommagé de quelque manière que ce soit. Apportez-le à un représentant de service qualifié de Motorola Solutions.
- Pour réduire les risques d'incendie ou de décharge électrique, ne démontez pas le chargeur. Il ne peut pas être réparé et aucune pièce de rechange n'est disponible.
- Pour réduire les risques de décharge électrique, débranchez l'adaptateur d'alimentation du chargeur de la prise c.a. avant de procéder à une maintenance ou à un nettoyage.
- Pour réduire les risques de blessure, ne chargez que les batteries rechargeables agréées. D'autres batteries peuvent exploser, causant des blessures et des dommages.
- Pour réduire les risques d'incendie, de décharge électrique ou de blessure, n'utilisez que les accessoires recommandés par Motorola Solutions.
- Toute modification apportée à cet appareil sans l'autorisation explicite de Motorola Solutions peut annuler l'autorisation d'utiliser cet appareil.

Directives d'utilisation sécuritaire

- Cet équipement n'est pas adapté à une utilisation en extérieur. Ne l'utilisez que dans des emplacements secs et sous des conditions de nature semblable.
- Ne branchez l'équipement qu'à un bloc d'alimentation à fusible câblé approprié de tension prescrite (telle que spécifiée sur le produit).
- Débranchez le chargeur de la tension de secteur en retirant la fiche d'alimentation de la prise de courant.
- La prise de courant à laquelle cet équipement est branché doit se trouver à proximité et être facilement accessible.
- La température ambiante maximale autour du chargeur ne doit pas dépasser 40 °C (104 °F).
- Assurez-vous que le cordon est placé à un endroit où il ne sera pas écrasé ou endommagé, ne gênera pas le passage, ne sera pas tendu de façon anormale et ne sera pas exposé à une source d'humidité.
- La puissance de sortie du bloc d'alimentation ne doit pas dépasser la puissance indiquée sur l'étiquette du produit apposée sous le chargeur.

Table des matières

Sécurité et aspect juridique	2
Propriété intellectuelle et avis réglementaires.....	2
Déclaration de conformité du fournisseur.....	3
Pour l'Australie seulement.....	4
Marques de certification.....	4
Communiquer avec nous	5
Conventions des icônes	6
Instructions importantes sur la sécurité	7
Directives d'utilisation sécuritaire	8
Chapitre 1 : Présentation du chargeur	10
Chapitre 2 : Accessoires approuvés	11
2.1 Batterie agréée Motorola Solutions.....	11
2.2 Chargeurs approuvés par Motorola Solutions.....	11
2.3 Blocs d'alimentation approuvés par Motorola Solutions.....	11
Chapitre 3 : Instructions d'utilisation	12
3.1 Indication de charge.....	13
3.2 Dépannage.....	14

Chapitre 1

Présentation du chargeur

Le chargeur double peut charger un microphone haut-parleur distant WM800 avec batterie et/ou une batterie seule.

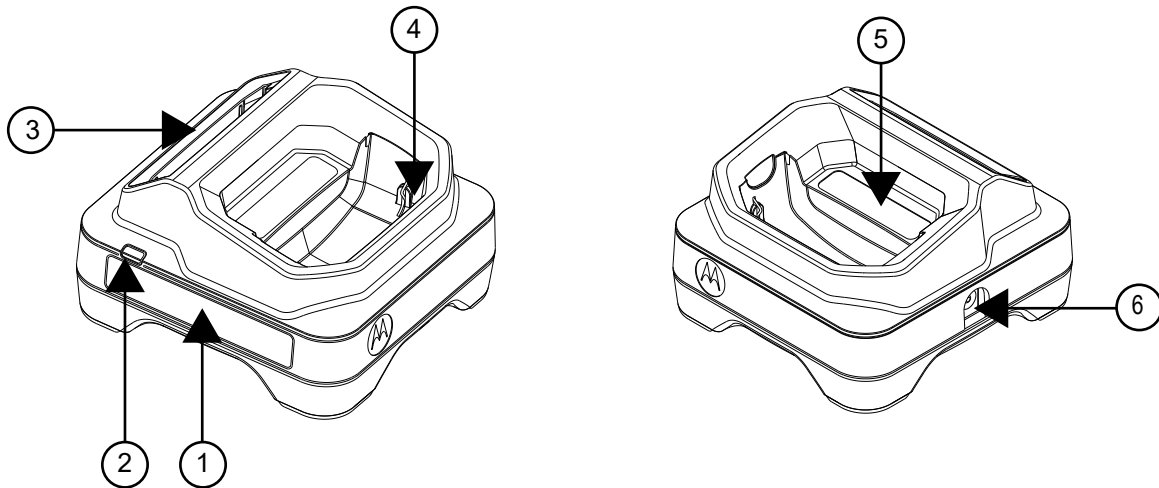


Tableau 1 : Présentation du chargeur pour microphone haut-parleur distant WM800

Composant	Description
1	Étiquette d'indication de charge
2	Indicateur de charge de batterie
3	Logement de charge de batterie
4	Logement de charge du microphone haut-parleur distant
5	Étiquette de mise en garde de batterie
6	Entrée d'alimentation

Chapitre 2

Accessoires approuvés

Cette section énumère les accessoires autorisés à utiliser avec votre chargeur.

2.1

Batterie agréée Motorola Solutions

Tableau 2 : Batterie agréée Motorola Solutions

Ensemble (numéro de pièce)	Description
PMNN4846_	Batterie, lithium-ion UL DIV2 IP68 2150T

2.2

Chargeurs approuvés par Motorola Solutions

Tableau 3 : Chargeurs approuvés par Motorola Solutions

Ensemble (numéro de pièce)	Description
PMPN4652A	Base de chargeur double
PMPN4653A	Chargeur double avec bloc d'alimentation (prise américaine)
PMPN4564A	Chargeur double avec bloc d'alimentation (prise Australie et Nouvelle-Zélande)

2.3

Blocs d'alimentation approuvés par Motorola Solutions

Tableau 4 : Blocs d'alimentation approuvés par Motorola Solutions

Bloc d'alimentation	Description	Fiche régionale
PS000277A11	PS, mode commutation du chargeur, 100 à 240 V	États-Unis
PS000277A14	PS, mode commutation du chargeur, 100 à 240 V	Australie/Nouvelle-Zélande

Chapitre 3

Instructions d'utilisation

Les logements du chargeur peuvent accueillir un microphone haut-parleur distant WM800 avec sa batterie approuvée par Motorola Solutions ou une batterie approuvée par Motorola Solutions seule. Les batteries se chargent mieux à une température ambiante.

Procédure :

1. Branchez l'extrémité pour chargeur du cordon d'alimentation dans la prise d'alimentation située sur le côté du chargeur.
2. Branchez l'autre extrémité du câble d'alimentation sur une prise secteur appropriée.
Un seul clignotement vert sur l'indicateur du chargeur indique une séquence de mise sous tension réussie.
3. Insérez l'appareil avec sa batterie ou une batterie seule dans le logement du chargeur.
 - a. Alignez les contacts du microphone haut-parleur distant WM800 ou de la batterie avec ceux du logement du chargeur.
 - b. Insérez la radio ou la batterie dans le logement en vous assurant qu'un contact parfait est établi entre le chargeur et les contacts de la radio ou de la batterie.

Figure 1 : Charge d'une batterie

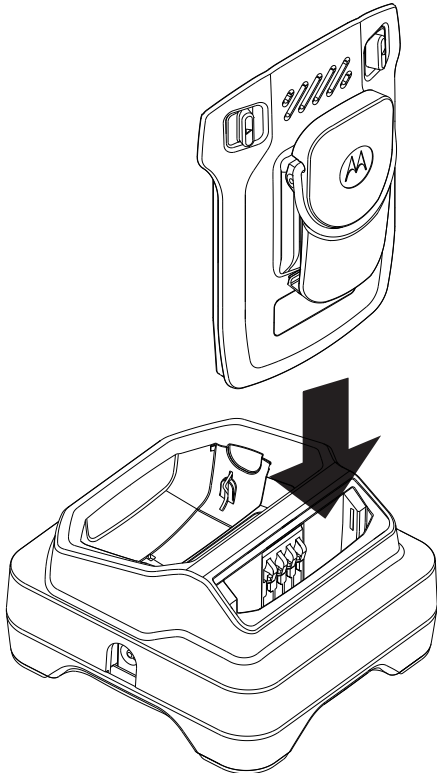
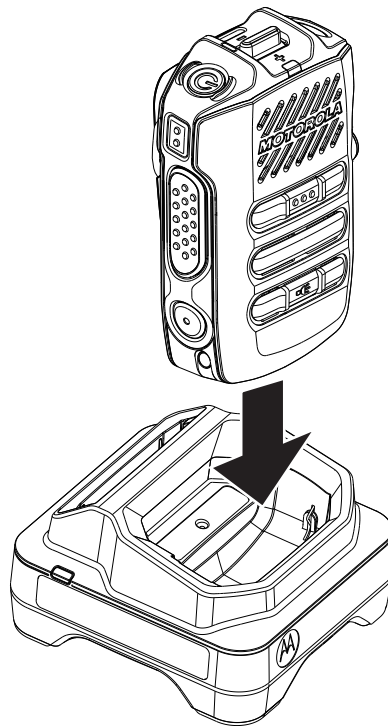


Figure 2 : Charge d'un appareil avec sa batterie










3.1

Indication de charge

Le tableau suivant ne s'applique que lorsqu'une batterie seule est chargée dans le logement de charge de batterie. Lorsque vous chargez l'appareil avec sa batterie, observez l'écran et le voyant DEL de charge de l'appareil.

Tableau 5 : Indication de charge

Voyant DEL	Description
Vert pendant environ une seconde 	Le chargeur est bien allumé.
Orange clignotant 	<ul style="list-style-type: none">• La batterie est insérée dans le chargeur.• La batterie est en attente de charge.• La température de la batterie est trop élevée ou trop basse
Rouge clignotant 	<ul style="list-style-type: none">• La batterie ne peut pas être chargée ou le contact n'est pas correctement établi.• Délai de récupération de sous-tension expiré (15 minutes)• Tension excessive du bloc d'alimentation• Les thermistors se court-circuitent à la masse

Voyant DEL	Description
Rouge fixe 	Batterie en mode de charge rapide.
Vert clignotant 	Batterie chargée à 90 % ou plus.
Vert fixe 	La batterie est entièrement chargée.
Désactivé 	Aucune batterie dans le logement.

3.2 Dépannage

Tableau 6 : Tableau 2 : Dépannage

Problème	Solution...
Aucun voyant de charge	<ul style="list-style-type: none">• Assurez-vous que le microphone haut-parleur distant et sa batterie, ou la batterie seule, est inséré(e) correctement.• Assurez-vous que le cordon d'alimentation est bien connecté au chargeur et à une prise secteur appropriée et que cette dernière est alimentée.
Voyant clignotant rouge	<ul style="list-style-type: none">• Assurez-vous que la batterie est une batterie agréée Motorola. Il est possible que des batteries d'autres types ne puissent pas être chargées.• Assurez-vous que le cordon d'alimentation est bien connecté au chargeur et à une prise secteur appropriée et que cette dernière est alimentée.• Retirez la batterie du chargeur et redémarrez le chargeur.