

MINITOR 7 Device User Guide

MARCH 2024

© 2024 Motorola Solutions, Inc. All Rights Reserved.



MN010351A01-AA

Contents

Intellectual Property and Regulatory Notices.....	4
Supplier's Declaration of Conformity.....	5
Notice to Users (FCC).....	6
UL Listed MINITOR 7 Devices.....	7
Chapter 1: Package Content.....	8
Chapter 2: Cleaning Your Device.....	9
Chapter 3: Device Overview.....	10
3.1 LED Indicators.....	11
3.2 Function Switch.....	12
3.3 Using the Reset Button.....	12
Chapter 4: Getting Started.....	14
4.1 Attaching the Belt Clip.....	14
4.2 Removing the Belt Clip.....	14
4.3 Battery Pack.....	15
4.4 Attaching the Battery.....	15
4.5 Removing the Battery.....	16
4.6 Turning the Device On.....	17
4.7 Turning the Device Off.....	17
4.8 Adjusting the Volume.....	17
4.9 Preparing Your Device for Operation.....	18
Chapter 5: Device Programming Software.....	19
5.1 Stored Voice Duration.....	19
5.2 Voice Announcement Type.....	19
5.2.1 Function Switch Announcements.....	20
5.2.2 Battery Level Announcement.....	20
5.3 Fixed Volume Page Alert.....	20
5.4 Priority Scan Time.....	20
5.5 Page Alert Duration.....	21
5.6 Unread Message Reminder.....	21
5.7 Priority Tone Alert.....	21
5.8 Warning Alert.....	21
5.8.1 Entering and Exiting the Warning Alert.....	22
5.9 Privacy.....	22
5.10 Always On.....	22

5.11 Battery Save Mode.....	22
5.12 Function Switch Options.....	23
5.12.1 Mode.....	23
5.12.2 Alert Type.....	24
5.12.3 Announcements.....	25
5.12.4 Enable On or Off Duty.....	25
5.12.5 Push-To-Listen.....	25
5.13 Channel Options.....	26
5.13.1 Channel Bandwidth.....	26
5.13.2 Reset Function.....	26
5.13.3 Audible and Vibrate Alerts.....	26
5.13.4 Setting the Squelch Level.....	27
Chapter 6: Voice Features and Controls.....	28
6.1 Stored Voice Operation.....	28
6.2 Stored Message Management.....	28
6.2.1 Managing Stored Messages.....	28
Chapter 7: Repair and Maintenance.....	30
Chapter 8: Authorized Accessory List.....	31
Chapter 9: Batteries and Chargers Warranty.....	32
Chapter 10: Limited Warranty.....	33
10.1 MOTOROLA SOLUTIONS COMMUNICATION PRODUCTS.....	33
10.2 I. WHAT THIS WARRANTY COVERS AND FOR HOW LONG.....	33
10.3 II. GENERAL PROVISIONS.....	33
10.4 III. STATE LAW RIGHTS:.....	34
10.5 IV. HOW TO GET WARRANTY SERVICE.....	34
10.6 V. WHAT THIS WARRANTY DOES NOT COVER.....	34
10.7 VI. PATENT AND SOFTWARE PROVISIONS.....	35
10.8 VII. GOVERNING LAW.....	35

Intellectual Property and Regulatory Notices

Copyrights

The Motorola Solutions products described in this document may include copyrighted Motorola Solutions computer programs. Laws in the United States and other countries preserve for Motorola Solutions certain exclusive rights for copyrighted computer programs. Accordingly, any copyrighted Motorola Solutions computer programs contained in the Motorola Solutions products described in this document may not be copied or reproduced in any manner without the express written permission of Motorola Solutions.

No part of this document may be reproduced, transmitted, stored in a retrieval system, or translated into any language or computer language, in any form or by any means, without the prior written permission of Motorola Solutions, Inc.

Trademarks

MOTOROLA, MOTO, MOTOROLA SOLUTIONS, and the Stylized M Logo are trademarks or registered trademarks of Motorola Trademark Holdings, LLC and are used under license. All other trademarks are the property of their respective owners.

License Rights

The purchase of Motorola Solutions products shall not be deemed to grant either directly or by implication, estoppel or otherwise, any license under the copyrights, patents or patent applications of Motorola Solutions, except for the normal nonexclusive, royalty-free license to use that arises by operation of law in the sale of a product.

Open Source Content

This product may contain Open Source software used under license. Refer to the product installation media for full Open Source Legal Notices and Attribution content.

European Union (EU) and United Kingdom (UK) Waste of Electrical and Electronic Equipment (WEEE) Directive



The European Union's WEEE directive and the UK's WEEE regulation require that products sold into EU countries and the UK must have the crossed-out wheeled bin label on the product (or the package in some cases). As defined by the WEEE directive, this crossed-out wheeled bin label means that customers and end users in EU and UK countries should not dispose of electronic and electrical equipment or accessories in household waste.

Customers or end users in EU and UK countries should contact their local equipment supplier representative or service center for information about the waste collection system in their country.

Disclaimer

Please note that certain features, facilities, and capabilities described in this document may not be applicable to or licensed for use on a specific system, or may be dependent upon the characteristics of a specific mobile subscriber unit or configuration of certain parameters. Please refer to your Motorola Solutions contact for further information.

© 2024 Motorola Solutions, Inc. All Rights Reserved

Supplier's Declaration of Conformity

Supplier's Declaration of Conformity

Per FCC CFR 47 Part 2 Section 2.1077(a)



Responsible Party

Name: Motorola Solutions, Inc.

Address: 2000 Progress Pkwy, Schaumburg, IL. 60196

Phone Number: 1-800-927-2744

Hereby declares that the product:

Model Name: **MINITOR 7**

conforms to the following regulations:

FCC Part 15, subpart B, section 15.107(a), 15.107(d), and section 15.109(a)

Class A Digital Device

As a personal computer peripheral, this device complies with Part 15 of the FCC Rules. Operation is subject to the following two conditions:

1. This device may not cause harmful interference, and
2. This device must accept any interference received, including interference that may cause undesired operation.



NOTE:

This equipment has been tested and found to comply with the limits for a Class A digital device, pursuant to part 15 of the FCC Rules. These limits are designed to provide reasonable protection against harmful interference when the equipment is operated in a commercial environment. This equipment generates, uses and can radiate radio frequency energy and, if not installed and used in accordance with the instructions, may cause harmful interference to radio communications. Operations of this equipment in a residential area is likely to cause harmful interference in which case the user will be required to correct the interference at his own expense.

Notice to Users (FCC)

This device complies with Part 15 of the FCC rules per the following conditions:

- This device may not cause harmful interference.
- This device must accept any interference received, including interference that may cause undesired operation.
- Changes or modifications made to this device, not expressly approved by Motorola Solutions, could void the authority of the user to operate this equipment.

UL Listed MINITOR 7 Devices

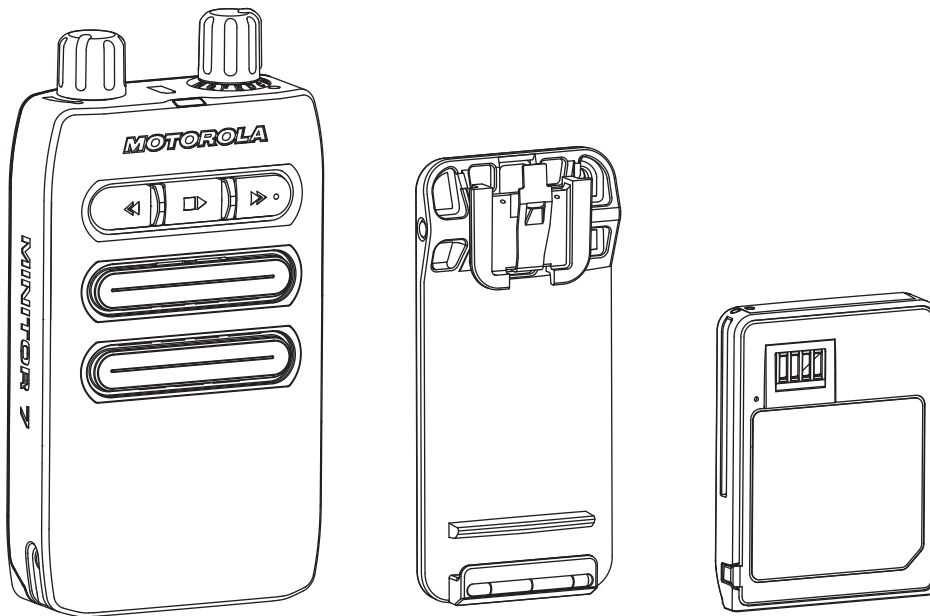
- A03JAC9KA1AN, 143 – 174 MHz, Five Channel
- A04RAC9KA1AN, 450 – 486 MHz, Five Channel

Chapter 1

Package Content

Verify the model number information located on the label on the back of the device before using the device. Inspect the content of your package thoroughly. If any part of the package, the device, or the included accessories have been damaged in transit, report the extent of the damage to the transportation company immediately.

Figure 1: Package Content



Chapter 2

Cleaning Your Device

- To clean smudges and grime from the exterior of your device, use a soft, non-abrasive cloth moistened in a mild soap and water solution. Use a second cloth moistened in clean water to wipe the surface clean. Do not immerse in water. Do not use alcohol or other cleaning solutions.
- To clean the device I/O connector on the bottom of the device, Motorola Solutions recommends cleaning of the MINITOR 7 I/O connector with 1104959T01 'DeoxIT® DSeries' cleaner (D100P supplier CAIG Labs).

Procedure:

1. Depress the tip of a DeoxIT pen several times to ensure flow of the cleaning liquid to the pen tip and allow the tip of the marker to get wet with the DeoxIT cleaning solution.
2. Gently rub the tip of the cleaning pen on the MINITOR 7 I/O contacts covering the entire surface. Perform the cleaning of the 15 contacts.



NOTE:

During the cleaning process, the pen tip wears off and accumulates contaminants over time. Motorola Solutions recommends replacing the pen tip after 15-20 devices are cleaned.

Replacement tips (TIP-RD6) are available with supplier CAIG Labs. Motorola Solutions recommends cleaning MINITOR 7 I/O connectors once a month if the devices are used in dirty environments.

Chapter 3

Device Overview

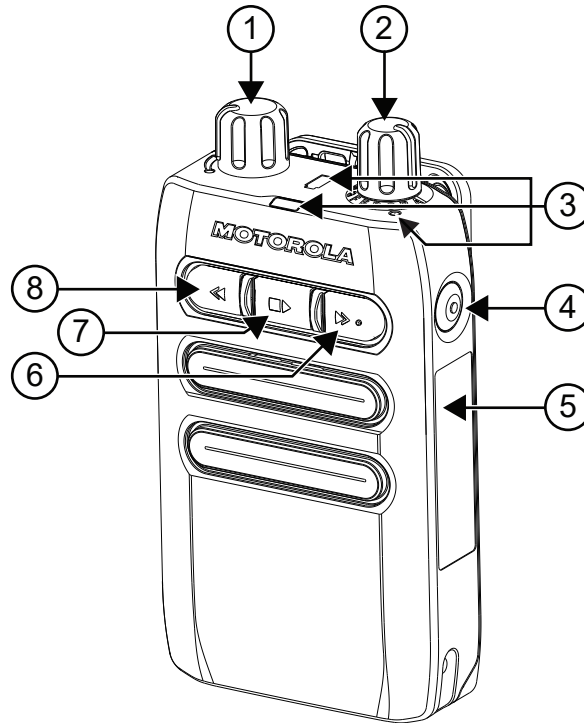


Table 1: Device Overview


Item	Description
1	On/Off/Volume Control Knob
2	Function Switch
3	Reset Button
4	Reset Button
5	Identification Label Area
6	Fast Forward Button
7	Play Button
8	Rewind Button

3.1

LED Indicators

The following table explains the LED Indicator shown on the device.

Table 2: Indicators

Status	LED Indicator
Power Up	Device power up is indicated by audible beeps and simultaneous blinking of the red and yellow LEDs for four times.
Incoming Message	Red LED blinks and an audible alert is heard when receiving encoded messages. The device vibrates depending on the programming.
Unread Messages	Red LED illuminates until the device is power cycled or the device plays the new messages. If programmed, an audio reminder plays every minute to indicate the unread messages.
Battery Status	At any time, press and release the Reset button to view the battery status. <ul style="list-style-type: none"> • Solid Green - Battery level is high. • Solid Yellow - Battery level is medium. • Solid Red - Battery level is low. • Blinking Red - Battery level is critically low. The red LED and the battery LED blink simultaneously every 2 minutes with a tone to remind you to charge or replace the battery. <p>When the battery is discharged, the device plays an audible alert before powering down.</p> <p> NOTE: If the Battery Level Announcement option is enabled, the device announces the battery level status when you press and release the Reset button.</p>
Unprogrammed Channel	When the Function Switch is moved to an unprogrammed channel, the device plays a low frequency tone.
Message Management	<ul style="list-style-type: none"> • The yellow LED is turned on while in message management. There are four different tones defined within the message management. • When you rewind messages, the device plays a tone after every 10 seconds skipback. • When you delete messages, the device plays a tone indicating that the deletion is in progress until all unlocked messages are deleted. • While in Standby mode, if the fast forward or rewind button is pressed, the device plays a tone to indicate that the buttons are not functional.
Scan Mode	<ul style="list-style-type: none"> • A yellow LED indicates the activity on channels in Scan mode. Different blinking patterns of the yellow LED indicate activity on different channels.

Status

LED Indicator

- The number of consecutive blinks corresponds to the active channel.
-

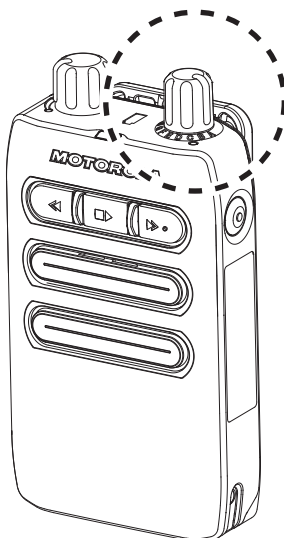
3.2

Function Switch

The Function Switch can be configured up to eight different modes.

Models with five channels can be programmed for different frequencies for these modes.

Figure 2: Function Switch



Channel Monitoring

When the function switch is set to a monitor position, all communications on the selected channel is heard through the speaker. In **Monitor** mode, the alert options are functional.

Scan

Each function mode can scan two to five channels when the device is programmed with two or more channels.

3.3

Using the Reset Button

When and where to use:

The **Reset** button is multifunctional.

Procedure:

The following are conditions and actions you can perform using the **Reset** button.

Condition	Action
After receiving an alert and the reset function is not programmed for Automatic Reset or the Delayed Reset timer has not expired.	To return your device to the Standby mode, press the Reset button.
Privacy option is not enabled.	To place the device in open squelch Monitor mode, press and hold the Reset button.
Battery indication	To view the battery level, press and release the Reset button.
Push-to-Listen enabled	To listen to an incoming message after receiving an alert, press the Reset button.
Critically low battery alert reminder	To disable the automatic critical battery alert reminder, press and release the Reset button while the reminder is in progress.

Chapter 4

Getting Started

This section helps you to get familiar with the basic operations of the device.

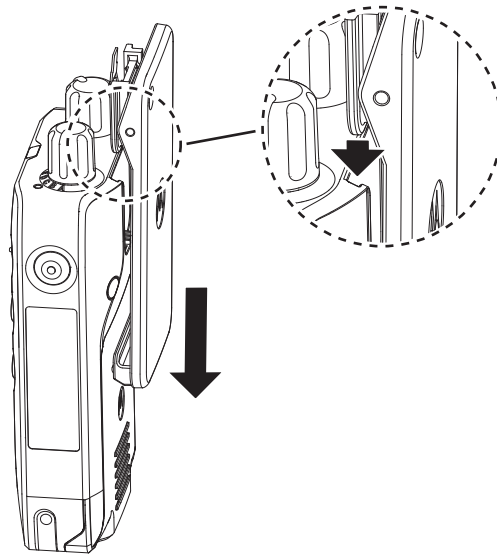
4.1

Attaching the Belt Clip

Procedure:

1. Align the rails on the clip to the grooves on the back of your device.
2. Press downward until you hear a click.

Figure 3: Attaching the Belt Clip



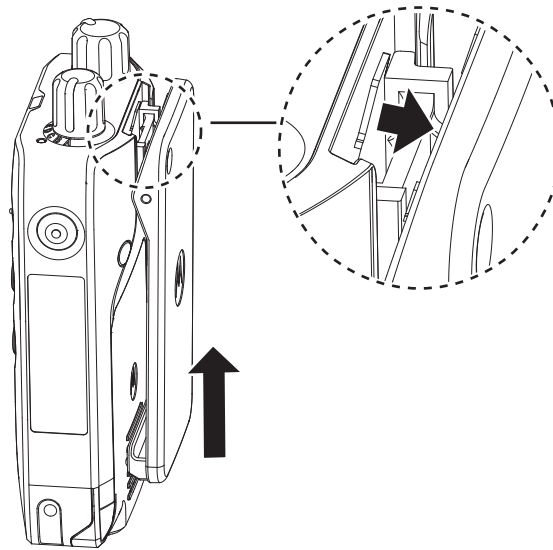
4.2

Removing the Belt Clip

Procedure:

To remove the clip, press and slide the belt clip latch upwards.

Figure 4: Removing the Belt Clip



4.3

Battery Pack


The device is powered by a battery pack.

The Lithium-Ion battery pack, which is intrinsically safe UL model are compatible depending on the model you purchased.

4.4


Attaching the Battery

Prerequisites: For optimal performance, fully charge the lithium-ion battery pack before using.

 **IMPORTANT:** To avoid damage and comply with warranty terms, charge the battery pack using a Motorola Solutions-approved charger. See the *MN010321A01 MINITOR 7 Standard Charger User Guide* and *MN010322A01 MINITOR 7 Amplifier Charger User Guide*.

Procedure:

1. Press and hold the belt clip down.
2. Align the battery pack to the back of your device.
3. Slide the battery pack upwards to the maximum.
4. Slide the latch to the locked position.

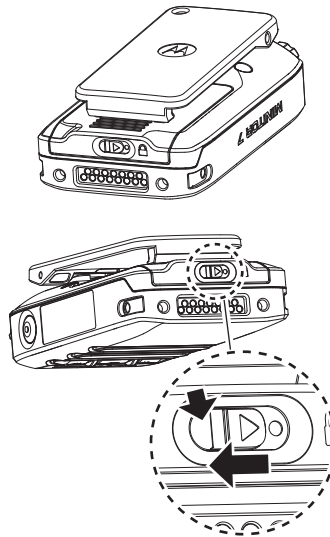
 **NOTE:** Install the battery pack properly for the device to power up.

4.5 Removing the Battery

Procedure:

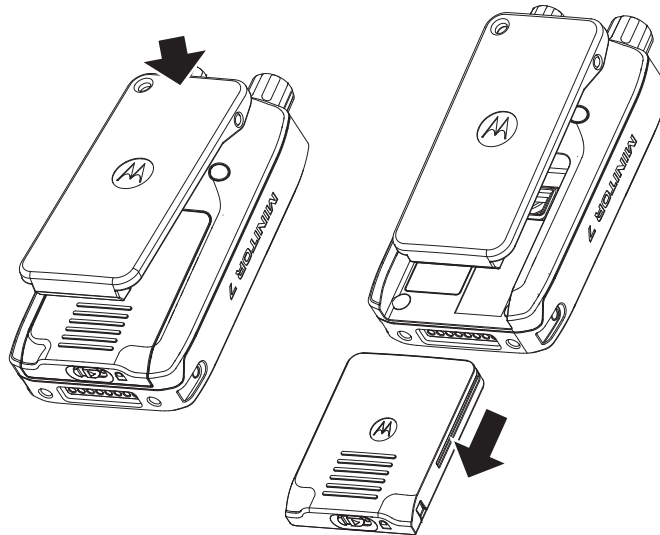
1. Press and hold the latch down. Slide the latch to the left to the unlocked position.

Figure 5: Removing the Battery



2. Press and hold the belt clip down. Slide the battery pack downwards.

Figure 6: Sliding the Battery



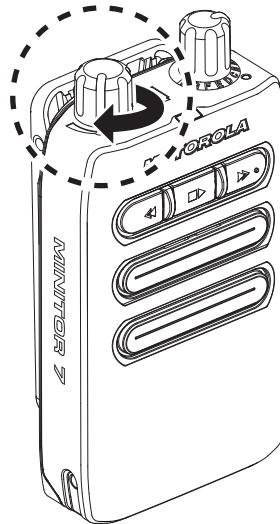
4.6

Turning the Device On

Procedure:

Rotate the **On/Off/Volume Control** knob clockwise until you hear a click.

Figure 7: Turning the Device On



Result:

When your device is turned on, you hear audible beep and the device vibrates depending on the **Function Switch** programming.



NOTE: Ensure that your battery is properly charged and attached. If your device fails to turn on after repeating a few times, contact your dealer.

4.7

Turning the Device Off

Procedure:

Rotate the **On/Off/Volume Control** knob counterclockwise beyond the white volume level indicator until you hear a click, unless the **Battery Save** mode is enabled.



NOTE: Refer [Device Programming Software on page 19](#) for more information on **Battery Save** mode.

4.8

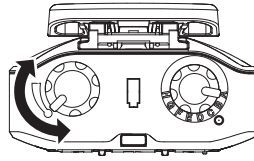
Adjusting the Volume


Procedure:

Perform one of the following actions:

- To increase the volume of the device, rotate the **On/Off/Volume Control** knob clockwise.
- To decrease the volume of the device, rotate the **On/Off/Volume Control** knob counterclockwise.

Figure 8: Adjusting the Volume



 **NOTE:** The device turns off when rotating the knob counterclockwise beyond the white volume level indicator and until you hear a click.

4.9

Preparing Your Device for Operation

Procedure:

1. Set the **Function Switch** to a tone alert position and power up the device.
You hear four beeps. The red and yellow LED blinks indicating that the device has been powered up.
2. Set the **Function Switch** to a monitor position.
3. Listen for a transmission and adjust the volume control to a comfortable listening level.
4. If no transmission is heard, hold down the **Reset** button and adjust the background noise to a comfortable listening level.
If required, adjust the volume level when a voice signal is present.
5. Set the **Function Switch** to the desired operating mode such as selective call, monitor, or scan with tone and vibrate alert.

Chapter 5

Device Programming Software

This sections provides information regarding device programming software.

The device supports the following features:

- Stored Voice Duration
- Announcements Type
- Function Switch Announcements
- Battery Level Announcement
- Fixed Volume Page Alert
- Priority Scan Time
- Page Alert Duration
- Unread Message Reminder
- Priority Tone Alert
- Warning Alert
- Privacy
- Always On
- Battery Save Mode
- Function Switch Options
- Channel Options

If your model does not support the features, contact the authorized Motorola Solutions dealer or call 1-800-548-9954 for more information or for the addition of the features.

5.1

Stored Voice Duration

This feature allows you to limit the length of an incoming message to be stored.



NOTE: A shorter message length allows for more number of total messages stored.

The device can be programmed to store messages in fixed lengths of 15, 30, 60, 120 seconds, or dynamic (unlimited) duration.

5.2

Voice Announcement Type

This feature allows you to select the voice type for announcements.

The following are the voice types available for the announcements:

- Male voice
- Female voice

5.2.1

Function Switch Announcements

This feature allows you to enable or disable the voice announcements when the device is powered up or when the **Function Switch** is moved to a new position.

The following are the four available options:

On

Voice announcements enabled.

On Reset Only

Voice announcements are enabled only when **Reset** button is released.

On and On Reset

Voice announcements are enabled when **Reset** button is released.

Off

Voice announcements are disabled.

5.2.2

Battery Level Announcement

This feature allows you to enable or disable the voice announcements for the battery level when you press and release the **Reset** button.

The following are the two available options:

On

Voice announcements are enabled.

Off

Voice announcements are disabled.

5.3

Fixed Volume Page Alert

This feature allows you to fix the page alert volume level at its loudest setting.

The following are the two available options:

On

The page alert volume level is fixed at the maximum. Turning the **On**, **Off**, or the **Volume Control** knob changes only the voice message volume level.

Off

Turning the Turning the **On**, **Off**, or the **Volume Control** knob changes the voice message and the page alert volume level.

5.4

Priority Scan Time

This feature allows you to set a duration for the device to wait before scanning the priority channels.

The range of the priority scan time is 0.064 seconds to 2.04 seconds. The default scan time is 0.512 seconds.



NOTE:

This feature is enabled when one of the **Function Switch** positions is configured for priority scan.

You can miss an incoming message if the priority scan time is set to more than 0.512 seconds.

5.5

Page Alert Duration

This feature allows you to set the duration of page alerts.

The following are the two available options:

Fixed

You can set the duration to a fixed value between 0.5 seconds to 2 minutes.

Standard

The alert lasts for a standard duration of two tones.



NOTE: If the duration is fixed and is longer than the duration of the second device activation tone, you can miss part of the message or the entire message depending on the message length.

5.6

Unread Message Reminder

This feature allows you to enable or disable the message reminder.

The following are the two available options:

On

Unread message reminder enabled.

Off

Unread message reminder disabled.

5.7

Priority Tone Alert

This feature allows you to override the vibrate setting of the function switch for Call Address 1 on Frequency 1 to a tone alert position.

The following are the two available options:

On

The device generates a tone alert instead of vibrating to indicate an incoming message when the alert type is set as vibrate for the function switch.

Off

The device generates vibrate to indicate an incoming message when the alert type is set as vibrate for the function switch.

5.8

Warning Alert

This feature allows you to enable or disable the warning tone.

The following are the two available options:

On

Emit loud alert tone to warn the surrounding of a critical situation.

Off

Disable warning alert.

5.8.1

Entering and Exiting the Warning Alert

Prerequisites: The device is in the standby state.

Procedure:

1. To turn on the **Warning Alert** mode, press and hold either the **Fast Forward** or the **Rewind** button.

The device emits a warning alert tone. The tone level increases gradually until it reaches the maximum level.

The maximum level of this warning alert tone is independent of the volume knob position.

2. To exit the **Warning Alert** mode, reset the device.

5.9

Privacy

This feature allows you to disable the ability to monitor the channel when you press and hold the **Reset** button.

The privacy feature is not enabled when Push-To-Listen is enabled for silent scan or selective call modes.

The following are the two available options:

On

Pressing and holding the **Reset** button does not place the device in the monitor mode.

Off

Pressing and holding the **Reset** button places the device in the monitor mode.

5.10

Always On

This feature allows you to keep the device On irrespective of the **On/Off** knob position.

The following are the two available options:

On

The device does not turn Off when the **On/Off** knob is switched to the Off position.

Off

The device turns Off when the **On/Off** knob is switched to the Off position.



NOTE: When the Always On feature is enabled, power cycle the device when reinserting the battery by switching the volume knob from Off to On position.

5.11

Battery Save Mode

This feature allows you to set the device sleep cycle during inactive period.

Shorter sleep cycle improves the device alert reliability with more battery usage.

The following are the three available options:

Normal

Sleep time in Selective Call, Monitor, Priority Scan, Normal Scan, and Silent Scan is set to 430 ms.

Half

Sleep time is reduced to 120 ms for Selective Call, Monitor, Priority Scan, and Normal Scan modes. Sleep time is disabled for Silent scan mode.

Off

Disables battery save mode for all modes.

5.12

Function Switch Options

This section provides information regarding the eight different **Function Switch** positions available, which are labeled from A to H.

5.12.1

Mode

This option allows you to select the mode of operation for different **Function Switch** positions.

The following are the six available options:

Selective Call

- This mode allows you to detect two-tone and long-tone pages. Only one frequency can be monitored for the tones at any given time. When a page is detected, the device generates a page alert and stores the message.
- In Selective Call mode, the audio remains off until a page is received. The device alerts you to indicate the carrier squelch operation is enabled. The audio turns off according to the current reset mode.
- Additional programmable options are Off Duty, Priority Tone Alert, Push-To-Listen, and Privacy mode.



NOTE:

The page alert can be an audible or a vibrate depending on the **Function Switch** position.

You can set the Selective Call to five different frequencies, labeled as F1, F2, F3, F4, and F5.

Monitor

- This mode allows you to monitor the activity on a programmed frequency such as carrier squelch operation.
- Only one frequency can be monitored at a time. When a page is detected, the device generates a page alert and stores the message.



NOTE: You can set the Monitor to five different frequencies, labeled as F1, F2, F3, F4, and F5.

Probability Scan

- This mode allows you to monitor traffic on two to five different frequencies.
- The device monitors any activity on the frequency. If an activity is detected on the frequency, the receiver lock on to the frequency until the transmission ends.
- When the device is locked on to the scanned frequency, the device sounds an alert to the correct address tones for that frequency and starts the message storage. The audio turns off according to the current reset mode. The receiver resumes the scan activity.



NOTE: There is no frequency that has monitoring precedence over the other frequencies.

Priority Scan

- This mode allows you to monitor traffic on two to five different frequencies.
- One frequency must be preprogrammed as a priority frequency. The other frequencies are preprogrammed as non-priority frequencies.
- If the receiver is in the Scan mode and is monitoring the frequency activity on a non-priority frequency, the receiver scans the priority frequency at programmed intervals. If activity is detected on the priority frequency, the receiver locks on to that frequency. Scanning is stopped until the priority frequency becomes inactive.
- The receiver resumes the priority scan activity. The device alerts only on the detection of alert tones on the priority frequency. The audio turns off according to the current reset mode. Address detection is turned off for the non-priority frequency.



NOTE: The priority frequency has monitoring precedence over the non-priority frequency.

Silent Scan

- This mode allows you to monitor traffic on two different frequencies.
- The receiver alternately scans the two frequencies and the audio remains off. When a page is detected, the device generates a page alert and performs message storage.
- The audio turns on immediately when receiving a page after the page alert (enabling the carrier squelch operation). The audio turns off according to the current reset mode. The receiver resumes the silent scan activity.



NOTE: The frequencies do not have monitoring precedence over the other frequency.

Disabled

- This mode allows you to disable a **Function Switch** position.
- When programmed, the device plays a low frequency tone when switching the channel knob to the **Function Switch** position.

5.12.2

Alert Type

This option allows you to set the type of alerts you can activate when the device is powered up or when there is an incoming page.

The following are the three available alert types:

Tone

The device plays a tone.

Vibrate

The device vibrates.

Tone and Vibrate

The device plays a tone and vibrates simultaneously.



NOTE: The device does not alert when the device is in the amplifier charger if it is set to vibrate.

5.12.3

Announcements

This feature allows you to set the type of announcements when you enable the **Function Switch** announcements.

When the device is powered up or when the **Function Switch** is moved to a new position, the device plays the announcements.

The following are the three available announcement types:

Standard

Announces the mode, frequency number, and alert type that are programmed for the current switch position. For priority scan, the first frequency announced is the priority channel.

Enhanced

The device announces On or Off Duty, Push-To-Listen, Priority Alert, and Privacy when programmed for the current switch position.

Custom

Plays the stored custom **Function Switch** announcements. You can store up to eight different custom announcements in the device.

5.12.4

Enable On or Off Duty

This option allows you to program a specific address as Off Duty and allows you to ignore the address.

This option is available for Selective Call and Silent Scan modes only.

Clicking on the check box enables the on and off selection in the channel tab.



NOTE: When programming the address as on or off for any channel position, one address must be programmed as On Duty.

5.12.5

Push-To-Listen

This option is available for Selective Call and Silent Scan modes only.

When you enable the Push-To-Listen option after the page alerts, hold down the **Reset** button to monitor the incoming message. This option does not affect the storing voice process.

The alert type is set to vibrate by default. It is compatible with the Off Duty mode if the call address is set for either On or Off Duty.

5.13

Channel Options

You can program up to five different receiving frequencies and their corresponding parameters such as bandwidth, tone system, and coding option.

5.13.1

Channel Bandwidth

The device can operate on 12.5 kHz Channel Spacing (Narrowband) or 25 kHz Channel Spacing (Wideband).

5.13.2

Reset Function

Allow you to set the method to reset the device after receiving a page.

The following are the eight available reset functions:

Automatic

Resets the device when the carrier drops.

Delayed

Waits momentarily before checking for carrier drop to reset the device.

Muted Delayed

Waits momentarily before checking for carrier drop to reset the device. Mutes the speaker and stored voice recording when the carrier drops.

Revert

Reverts to Monitor mode after receiving a Selective Call page.

Delayed Revert

Waits momentarily before checking for carrier drop and then reverts to Monitor mode.

Muted Delayed Revert

Waits momentarily before checking for carrier drop and then reverts to Monitor mode. Mutes the speaker and stored voice recording when the carrier drops.

Time-out

Resets the device after the preprogrammed time.

Manual

The audio remains turned on when pressing the **Reset** button in Selective Call and Silent Scan modes.

5.13.3

Audible and Vibrate Alerts

Allows you to determine which alert tone to play and which pattern to vibrate when receiving a page for each call address.


For each channel, the device can support up to 15 call addresses with 10 individuals and 5 groups. Each call address can be programmed to alert with different tone and vibration patterns.

Tone Alert

Select from 10 preprogrammed tones and up to five custom audio alerts.

Vibrate Alert

Select a continuous or pulsed vibration pattern.

 **NOTE:** Depending on the function switch alert type option setting, the device provides an audible, vibration, or combined audible or vibration alert.



5.13.4

Setting the Squelch Level

This feature allows you to set the squelch value.

Procedure:

Set the squelch level by using the following options.

Option	Actions
Setting the squelch level using Programming Software	Select the squelch value ranging from 1–5 using the slide bar. The default value is 3.  NOTE: <ul style="list-style-type: none"> ○ Level 1 - Device is operating in tight squelch. ○ Level 5 - Device is operating in loose squelch.
Setting the squelch level using device	Perform the following actions. <ul style="list-style-type: none"> ○ To adjust squelch level up, press and hold the Fast Forward button and Play button simultaneously. ○ To adjust squelch level down, press and hold the Rewind button and Play button simultaneously.  NOTE: This feature will not work at Scan mode.

Chapter 6

Voice Features and Controls

The device can store at least eight minutes of voice messages. Messages are stored according to their length.

The device can be programmed to store messages in fixed lengths of 30, 60, or 120 seconds.

MINITOR 7 provides the following controls for stored message management:

- Fast forward
- Rewind
- Skip to next
- Return to previous
- Lock
- Unlock
- Delete all

6.1

Stored Voice Operation

The message is stored only when a properly encoded message is received.

The message recording cycle is complete for the following conditions:

- When the device reaches the stored voice duration.
- When the squelch circuit no longer detects carrier signal and no reset function timer is active.
- When the delayed reset cycle is complete and the carrier is no longer detected.
- When the timed-out reset cycle is complete.



NOTE:

The device does not store other communications monitored on the channel.

If channel traffic occurs after the page and message, and before the carrier signal is lost, the messages are stored in memory.

6.2

Stored Message Management

Your device provides extended capability to manage the stored messages.

There are three multifunction buttons available on the front side of the device for message management.

6.2.1

Managing Stored Messages

Procedure:

- To perform a playback a particular message stored in the memory of your device, press the **Playback** button.

- To play back the most recent message, press the button in Standby mode.
- To stop the message playback, press the button in Playback mode.
- To play the locked messages, press and hold the button in Standby mode.
- To lock or unlock the message, press and hold the button in Playback mode.
- To skip to the next message or to fast forward the current message, press the **Fast Forward** button.
 - To skip to the next message, press the button.
 - To fast forward the current message, press and hold the button.
- To return to the previous message or to rewind the current message, press the **Rewind** button.
 - To return to the previous message, press the button.
 - To rewind the current message, press the button.

Chapter 7

Repair and Maintenance

For information regarding repair and maintenance, call 1-800-548-9954.

Chapter 8

Authorized Accessory List

Motorola Solutions provides a list of accessories to improve the productivity of your device.

Table 3: Accessories

Part Number	Description
RLN8640_	MINITOR 7 Carry accessory Belt Clip
PMLN8591_	MINITOR 7 Nylon Carry Case
PMNN4438_	Battery TIA IP56 Lithium-ion
RLN8638_	MINITOR 7 Standard Charger Kit
RLN8639_	MINITOR 7 Amplifier Charger Kit

Chapter 9

Batteries and Chargers Warranty

The Workmanship Warranty

The workmanship warranty guarantees against defects in workmanship under normal use and service.

Products Covered	Length of Coverage
Lithium-Ion (Li-Ion) Batteries	One (1) Year
Chargers	One (1) Year

The Capacity Warranty

The capacity warranty guarantees 80 % of the rated capacity for the warranty duration.

Products Covered	Length of Coverage
Lithium-Ion (Li-Ion) Batteries	One (1) Year

Chapter 10

Limited Warranty

10.1

MOTOROLA SOLUTIONS COMMUNICATION PRODUCTS

10.2

I. WHAT THIS WARRANTY COVERS AND FOR HOW LONG

Motorola Solutions, Inc. ("Motorola Solutions") warrants the Motorola Solutions manufactured Communication Products listed below ("Product") against defects in material and workmanship under normal use and service for a period of time from the date of purchase as scheduled below:

Products Covered	Length of Coverage
MINITOR 7	Two (2) Years
Product Accessories (Including Batteries and Chargers)	One (1) Year

Motorola Solutions, at its option, will at no charge either repair the Product (with new or reconditioned parts), replace it (with a new or reconditioned Product), or refund the purchase price of the Product during the warranty period provided it is returned in accordance with the terms of this warranty. Replaced parts or boards are warranted for the balance of the original applicable warranty period. All replaced parts of Product shall become the property of Motorola Solutions.

This express limited warranty is extended by Motorola Solutions to the original end user purchaser only and is not assignable or transferable to any other party. This is the complete warranty for the Product manufactured by Motorola Solutions. Motorola Solutions assumes no obligations or liability for additions or modifications to this warranty unless made in writing and signed by an officer of Motorola Solutions.

Unless made in a separate agreement between Motorola Solutions and the original end user purchaser, Motorola Solutions does not warrant the installation, maintenance or service of the Product.

Motorola Solutions cannot be responsible in any way for any ancillary equipment not furnished by Motorola Solutions which is attached to or used in connection with the Product, or for operation of the Product with any ancillary equipment, and all such equipment is expressly excluded from this warranty. Because each system which may use the Product is unique, Motorola Solutions disclaims liability for range, coverage, or operation of the system as a whole under this warranty.

10.3

II. GENERAL PROVISIONS

This warranty sets forth the full extent of Motorola Solutions responsibilities regarding the Product. Repair, replacement or refund of the purchase price, at Motorola Solutions option, is the exclusive remedy. THIS WARRANTY IS GIVEN IN LIEU OF ALL OTHER EXPRESS WARRANTIES. IMPLIED WARRANTIES, INCLUDING WITHOUT LIMITATION, IMPLIED WARRANTIES OF MERCHANTABILITY AND FITNESS FOR

A PARTICULAR PURPOSE, ARE LIMITED TO THE DURATION OF THIS LIMITED WARRANTY. IN NO EVENT SHALL MOTOROLA SOLUTIONS BE LIABLE FOR DAMAGES IN EXCESS OF THE PURCHASE PRICE OF THE PRODUCT, FOR ANY LOSS OF USE, LOSS OF TIME, INCONVENIENCE, COMMERCIAL LOSS, LOST PROFITS OR SAVINGS OR OTHER INCIDENTAL, SPECIAL OR CONSEQUENTIAL DAMAGES ARISING OUT OF THE USE OR INABILITY TO USE SUCH PRODUCT, TO THE FULL EXTENT SUCH MAY BE DISCLAIMED BY LAW.

10.4

III. STATE LAW RIGHTS:

SOME STATES DO NOT ALLOW THE EXCLUSION OR LIMITATION OF INCIDENTAL OR CONSEQUENTIAL DAMAGES OR LIMITATION ON HOW LONG AN IMPLIED WARRANTY LASTS, SO THE ABOVE LIMITATION OR EXCLUSIONS MAY NOT APPLY.

This warranty gives specific legal rights, and there may be other rights which may vary from state to state.

10.5

IV. HOW TO GET WARRANTY SERVICE

You must provide proof of purchase (bearing the date of purchase and Product item serial number) in order to receive warranty service and, also, deliver or send the Product item, transportation and insurance prepaid, to an authorized warranty service location. Warranty service will be provided by Motorola Solutions through one of its authorized warranty service locations. If you first contact the company which sold you the Product (for example, dealer or communication service provider), it can facilitate your obtaining warranty service. You can also call Motorola Solutions at 1-800-927-2744.

10.6

V. WHAT THIS WARRANTY DOES NOT COVER

1. Defects or damage resulting from use of the Product in other than its normal and customary manner.
2. Defects or damage from misuse, accident, water, or neglect.
3. Defects or damage from improper testing, operation, maintenance, installation, alteration, modification, or adjustment.
4. Breakage or damage to antennas unless caused directly by defects in material workmanship.
5. A Product subjected to unauthorized Product modifications, disassembles or repairs (including, without limitation, the addition to the Product of non-Motorola Solutions supplied equipment) which adversely affect performance of the Product or interfere with Motorola Solutions normal warranty inspection and testing of the Product to verify any warranty claim.
6. Product which has had the serial number removed or made illegible.
7. Rechargeable batteries if any of the seals on the battery enclosure of cells are broken or show evidence of tampering.
8. Rechargeable batteries if the damage or defect is caused by charging or using the battery in equipment or service other than the Product for which it is specified.
9. Freight costs to the repair depot.
10. A Product which, due to illegal or unauthorized alteration of the software/firmware in the Product, does not function in accordance with Motorola Solutions published specifications or the FCC certification labeling in effect for the Product at the time the Product was initially distributed from Motorola Solutions.
11. Scratches or other cosmetic damage to Product surfaces that does not affect the operation of the Product.

12. Normal and customary wear and tear.

10.7

VI. PATENT AND SOFTWARE PROVISIONS

Motorola Solutions will defend, at its own expense, any suit brought against the end user purchaser to the extent that it is based on a claim that the Product or parts infringe a United States patent, and Motorola Solutions will pay those costs and damages finally awarded against the end user purchaser in any such suit which are attributable to any such claim, but such defense and payments are conditioned on the following:

1. Motorola Solutions will be notified promptly in writing by such purchaser of any notice of such claim,
2. Motorola Solutions will have sole control of the defense of such suit and all negotiations for its settlement or compromise, and
3. Should the Product or parts become, or in Motorola Solutions opinion be likely to become, the subject of a claim of infringement of a United States patent, that such purchaser will permit Motorola Solutions, at its option and expense, either to procure for such purchaser the right to continue using the Product or parts or to replace or modify the same so that it becomes non-infringing or to grant such purchaser a credit for the Product or parts as depreciated and accept its return. The depreciation will be an equal amount per year over the lifetime of the Product or parts as established by Motorola Solutions.

Motorola Solutions will have no liability with respect to any claim of patent infringement which is based upon the combination of the Product or parts furnished hereunder with software, apparatus or devices not furnished by Motorola Solutions, nor will Motorola Solutions have any liability for the use of ancillary equipment or software not furnished by Motorola Solutions which is attached to or used in connection with the Product. The foregoing states the entire liability of Motorola Solutions with respect to infringement of patents by the Product or any parts thereof.

Laws in the United States and other countries preserve for Motorola Solutions certain exclusive rights for copyrighted Motorola Solutions software such as the exclusive rights to reproduce in copies and distribute copies of such Motorola Solutions software. Motorola Solutions software may be used in only the Product in which the software was originally embodied and such software in such Product may not be replaced, copied, distributed, modified in any way, or used to produce any derivative thereof. No other use including, without limitation, alteration, modification, reproduction, distribution, or reverse engineering of such Motorola Solutions software or exercise of rights in such Motorola Solutions software is permitted. No license is granted by implication, estoppel or otherwise under Motorola Solutions patent rights or copyrights.

10.8

VII. GOVERNING LAW

This Warranty is governed by the laws of the State of Illinois, U.S.A.

Table des matières

Propriété intellectuelle et avis réglementaires.....	4
Déclaration de conformité du fournisseur.....	6
Avis aux utilisateurs (FCC).....	7
Appareils MINITOR 7 homologués UL.....	8
Chapitre 1 : Contenu de l’emballage.....	9
Chapitre 2 : Nettoyage de votre appareil.....	10
Chapitre 3 : Aperçu de l’appareil.....	11
3.1 Voyants à DEL.....	12
3.2 Interrupteur de fonction.....	13
3.3 Utilisation du bouton de réinitialisation.....	13
Chapitre 4 : Pour commencer.....	15
4.1 Fixation de la pince de ceinture.....	15
4.2 Retrait de la pince de ceinture.....	15
4.3 Bloc-batterie.....	16
4.4 Installation de la batterie.....	16
4.5 Retrait de la batterie.....	17
4.6 Allumer l’appareil.....	18
4.7 Éteindre l’appareil.....	18
4.8 Réglage du volume.....	19
4.9 Préparation de l’appareil pour son fonctionnement.....	19
Chapitre 5 : Logiciel de programmation de l’appareil.....	20
5.1 Durée de la boîte vocale.....	20
5.2 Type d’annonce vocale.....	20
5.2.1 Annonces de l’interrupteur de fonction.....	21
5.2.2 Annonce du niveau de la batterie.....	21
5.3 Alerte de notification à volume fixe.....	21
5.4 Durée du balayage prioritaire.....	22
5.5 Durée de l’alerte de notification.....	22
5.6 Rappel de message non lu.....	22
5.7 Tonalité d’alerte prioritaire.....	22
5.8 Alerte d’avertissement.....	23
5.8.1 Entrée et sortie de l’alerte d’avertissement.....	23
5.9 Confidentialité.....	23
5.10 Toujours en marche.....	24

5.11 Mode d'économie de la batterie.....	24
5.12 Options de l'interrupteur de fonction.....	24
5.12.1 Mode.....	24
5.12.2 Type d'alerte.....	26
5.12.3 Annonces.....	26
5.12.4 Permettre le service Activé/Désactivé.....	27
5.12.5 Push-To-Listen.....	27
5.13 Options de canal.....	27
5.13.1 Bande passante du canal.....	27
5.13.2 Fonction de réinitialisation.....	27
5.13.3 Alertes sonores et par vibration.....	28
5.13.4 Régler le niveau du silencieux.....	28
Chapitre 6 : Commandes et fonctions vocales.....	30
6.1 Fonctionnement de la boîte vocale.....	30
6.2 Gestion des messages stockés.....	30
6.2.1 Gestion des messages stockés.....	31
Chapitre 7 : Réparation et maintenance.....	32
Chapitre 8 : Liste des accessoires approuvés.....	33
Chapitre 9 : Garantie des batteries et des chargeurs.....	34
Chapitre 10 : Garantie limitée.....	35
10.1 PRODUITS DE COMMUNICATION MOTOROLA SOLUTIONS.....	35
10.2 I. PROTECTION ASSURÉE PAR LA PRÉSENTE GARANTIE ET DURÉE DE CELLE-CI.....	35
10.3 II. CONDITIONS GÉNÉRALES.....	36
10.4 III. DROITS PRÉVUS PAR LES LOIS PROVINCIALES :	36
10.5 IV. RÉPARATION DANS LE CADRE DE LA GARANTIE.....	36
10.6 V. CE QUI N'EST PAS COUVERT PAR CETTE GARANTIE.....	36
10.7 VI. DISPOSITIONS RELATIVES AUX BREVETS ET AUX LOGICIELS.....	37
10.8 VII. LOI APPLICABLE.....	38

Propriété intellectuelle et avis réglementaires

Droits d'auteur

Les produits Motorola Solutions décrits dans ce document peuvent inclure des programmes informatiques Motorola Solutions protégés par des droits d'auteur. Les lois des États-Unis et d'autres pays garantissent certains droits exclusifs à Motorola Solutions pour ces programmes informatiques protégés par des droits d'auteur. En conséquence, il est interdit de copier ou de reproduire, de quelque manière que ce soit, les programmes informatiques Motorola Solutions protégés par des droits d'auteur contenus dans les produits Motorola Solutions décrits dans ce document sans l'autorisation expresse et écrite de Motorola Solutions.

Aucune partie du présent document ne peut être reproduite, transmise, stockée dans un système de récupération ou traduite dans toute autre langue ou tout autre langage informatique, sous quelque forme ou par quelque moyen que ce soit, sans l'autorisation écrite préalable de Motorola Solutions, Inc.

Marques de commerce

MOTOROLA, MOTO, MOTOROLA SOLUTIONS, and the Stylized M Logo are trademarks or registered trademarks of Motorola Trademark Holdings, LLC and are used under license. All other trademarks are the property of their respective owners.

Droits de licence

L'acquisition de produits Motorola Solutions ne saurait en aucun cas conférer de licence, directement, indirectement ou de toute autre manière, en vertu des droits d'auteur, brevets ou demandes de brevet appartenant à Motorola Solutions, autres que la licence habituelle d'utilisation non exclusive et libre de droit qui découle légalement de la vente du produit.

Contenu à code source libre

Ce produit peut contenir des logiciels libres utilisés sous licence. Reportez-vous au support d'installation du produit pour obtenir tous les avis juridiques relatifs aux logiciels libres et aux contenus d'attribution.

Directive sur la mise au rebut des équipements électriques et électroniques (DEEE) de l'Union européenne (UE) et du Royaume-Uni (RU)



La directive DEEE de l'Union européenne et les réglementations DEEE du Royaume-Uni exigent que les produits (ou leur emballage, dans certains cas) vendus dans les pays de l'UE ou au Royaume-Uni portent l'étiquette de la poubelle barrée. Comme le définit la directive DEEE, cette étiquette de poubelle barrée signifie que les clients et les utilisateurs finaux dans les pays de l'UE et du Royaume-Uni ne doivent pas jeter les équipements électriques et électroniques ou leurs accessoires dans les ordures domestiques.

Les clients ou les utilisateurs finaux au sein de l'UE et du Royaume-Uni doivent prendre contact avec le représentant local du fournisseur de leur équipement ou le centre de service pour obtenir des informations sur le système de collecte des déchets dans leur pays.

Avis de non-responsabilité

Veuillez noter que certaines fonctionnalités, installations et capacités décrites dans ce document pourraient ne pas s'appliquer ou être accordées sous licence pour l'utilisation sur un système particulier, ou pourraient dépendre des caractéristiques d'une unité mobile d'abonné ou d'une configuration de certains paramètres. Contactez votre représentant Motorola Solutions pour en savoir plus.

© 2024 Motorola Solutions, Inc. All Rights Reserved

Déclaration de conformité du fournisseur

Déclaration de conformité du fournisseur

Règlement CFR 47, partie 2, section 2.1077(a) de la FCC



Partie responsable

Nom : Motorola Solutions, Inc.

Adresse : 2000 Progress Pkwy, Schaumburg, IL. 60196

Numéro de téléphone : 1 800 927-2744

Déclare par les présentes que le produit :

Nom du modèle : **MINITOR 7**

Est conforme aux réglementations suivantes :

Partie 15, sous-partie B, articles 15.107(a), 15.107(d) et 15.109(a) des règlements de la FCC

Appareil numérique de classe A

En tant que périphérique d'ordinateur personnel, cet appareil est conforme aux dispositions de la partie 15 des règlements de la FCC. Son utilisation est assujettie aux deux conditions suivantes :

1. Cet appareil ne doit pas causer d'interférence nuisible; et
2. Cet appareil doit accepter toute interférence reçue, y compris les interférences pouvant entraîner un fonctionnement indésirable.



REMARQUE :

Cet équipement a fait l'objet de tests et a été déclaré conforme aux limites établies pour un appareil numérique de classe A, conformément à la section 15 des règlements de la FCC. Ces limites sont conçues pour offrir une protection raisonnable contre les interférences nuisibles lorsque l'équipement est utilisé dans un environnement commercial. Cet équipement génère, utilise et peut émettre de l'énergie de radiofréquence et, s'il n'est pas installé ou utilisé conformément aux instructions, il peut provoquer un brouillage nuisible aux communications radio. L'utilisation de cet équipement dans un environnement résidentiel est susceptible de provoquer des interférences nuisibles, auquel cas l'utilisateur devra les corriger à ses propres frais.

Avis aux utilisateurs (FCC)

Cet appareil est conforme à la partie 15 des règlements de la FCC d'après les conditions suivantes :

- Cet appareil ne doit pas causer d'interférence nuisible.
- Cet appareil doit accepter toute interférence reçue, y compris les interférences pouvant entraîner un fonctionnement indésirable.
- Toute modification apportée à cet appareil sans l'autorisation explicite de Motorola Solutions peut annuler l'autorisation d'utiliser cet appareil.

Appareils MINITOR 7 homologués UL

- A03JAC9KA1AN, 143 – 174 MHz, cinq canaux
- A04RAC9KA1AN, 450 – 486 MHz, cinq canaux

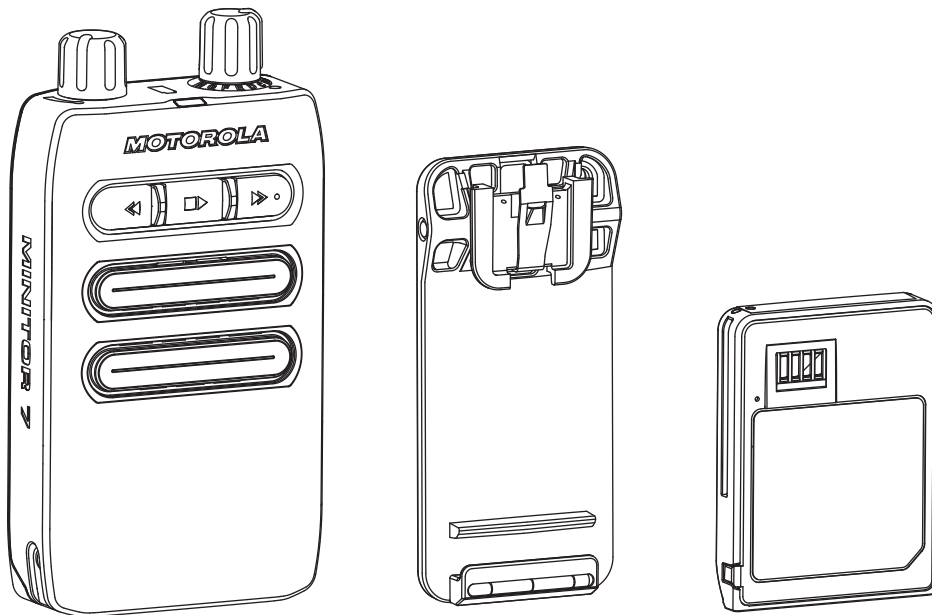
Chapitre 1

Contenu de l'emballage

Avant d'utiliser l'appareil, vérifiez les renseignements relatifs au numéro de modèle figurant sur l'étiquette au dos de l'appareil.

Inspectez le contenu de la boîte soigneusement. Si l'emballage, l'appareil ou les accessoires inclus ont été partiellement endommagés pendant l'expédition, signalez immédiatement l'ampleur des dommages à l'entreprise de transport.

Figure 1 : Contenu de l'emballage



Chapitre 2

Nettoyage de votre appareil

- Pour nettoyer les salissures et les traces de saleté à l'extérieur de l'appareil, utilisez un chiffon doux et non abrasif humidifié avec une solution savonneuse douce. Utilisez un deuxième chiffon humecté d'eau propre pour essuyer la surface. Ne plongez pas l'appareil dans l'eau. N'utilisez jamais d'alcool ni de solutions de nettoyage.
- Pour nettoyer le connecteur d'entrée/sortie au bas de l'appareil MINITOR 7, Motorola Solutions recommande d'utiliser un nettoyant 1104959T01 DeoxIT® série D (D100P, fournisseur CAIG Labs).

Procédure :

1. Enfoncez plusieurs fois la pointe d'un crayon DeoxIT pour faire descendre le liquide nettoyant jusqu'à la pointe, de manière à humidifier la pointe avec la solution de nettoyage DeoxIT.
2. Frottez délicatement la pointe du crayon de nettoyage sur les contacts d'entrée/sortie du MINITOR 7, en couvrant la surface entière. Nettoyez les 15 contacts.



REMARQUE :

Pendant le nettoyage, la pointe du crayon s'use et des contaminants s'accumulent au fil du temps. Motorola Solutions recommande de remplacer le crayon après 15 à 20 nettoyages de l'appareil.

On peut se procurer des embouts de rechange (TIP-RD6) auprès du fournisseur CAIG Labs. Motorola Solutions recommande de nettoyer les connecteurs d'entrée/sortie du MINITOR 7 une fois par mois si les appareils sont utilisés dans un environnement salissant.

Chapitre 3

Aperçu de l'appareil

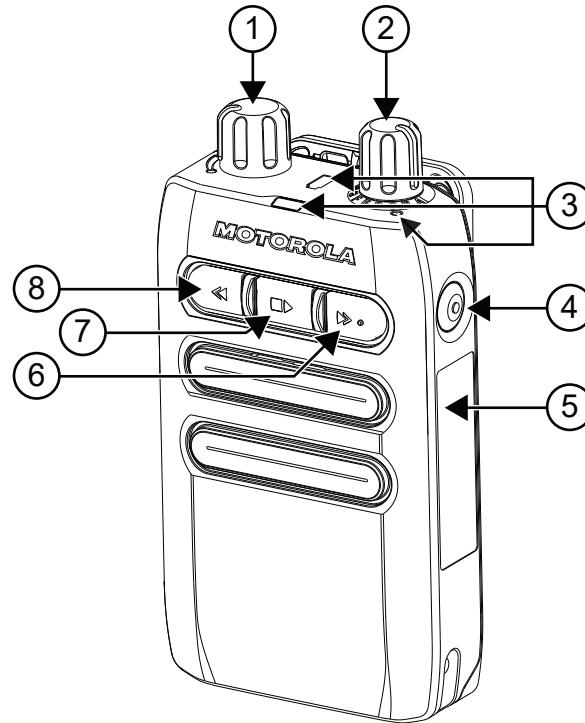


Tableau 1 : Aperçu de l'appareil


Composant	Description
1	Bouton Marche/Arrêt/Volume
2	Interrupteur de fonction
3	Bouton de réinitialisation
4	Bouton de réinitialisation
5	Zone de libellé d'identification
6	Bouton Avance rapide
7	Bouton Lecture
8	Bouton Retour rapide

3.1

Voyants à DEL

Le tableau suivant explique les fonctions des voyants à DEL de l'appareil.

Tableau 2 : Voyants

État	Voyant à DEL
Mise sous tension	La mise sous tension de l'appareil est indiquée par quatre bips par et quatre clignotements simultanés des voyants rouge et jaune.
Réception d'un message	Le voyant à DEL rouge clignote et une alerte sonore est émise lors de la réception de messages codés. L'appareil vibre selon la programmation.
Messages non lus	Le voyant à DEL rouge est allumé jusqu'à ce que l'appareil soit mis hors tension ou que l'appareil lise les nouveaux messages. S'il est programmé, un rappel audio retentit toutes les minutes pour indiquer les messages non lus.
État de la batterie	À tout moment, appuyez brièvement sur le bouton de réinitialisation pour afficher l'état de la batterie. <ul style="list-style-type: none">• Vert continu – le niveau de la batterie est élevé.• Jaune continu – le niveau de la batterie est moyen.• Rouge continu – le niveau de la batterie est faible.• Rouge clignotant – le niveau de la batterie est extrêmement faible. Le voyant à DEL rouge et le voyant à DEL de la batterie clignotent simultanément toutes les deux minutes, accompagnés d'une tonalité pour vous rappeler de recharger ou de remplacer la batterie. Lorsque la batterie est déchargée, l'appareil émet une tonalité d'alerte avant de s'éteindre.  REMARQUE : Si l'option d' annonce du niveau de la batterie est activée, l'appareil annonce le niveau de charge de la batterie lorsque vous appuyez brièvement sur le bouton de réinitialisation .
Canal non programmé	Lorsque l' interrupteur de fonction est déplacé vers un canal non programmé, l'appareil émet une tonalité à basse fréquence.
Gestion des messages	<ul style="list-style-type: none">• Le voyant à DEL jaune est allumé en mode de gestion des messages. Il existe quatre tonalités différentes pour la gestion des messages.• Lorsque vous reculez dans les messages, l'appareil émet une tonalité toutes les dix secondes de retour en arrière.• Lorsque vous supprimez des messages, l'appareil émet une tonalité indiquant que la suppression est en cours jusqu'à ce que tous les messages déverrouillés soient supprimés.• En mode Veille, si le bouton d'avance rapide ou de retour rapide est enfoncé, l'appareil émet une tonalité pour indiquer que les boutons ne fonctionnent pas.

État	Voyant à DEL
Mode Balayage	<ul style="list-style-type: none">• En mode de balayage, un voyant à DEL jaune indique une activité sur des canaux. Différentes séquences de clignotement du voyant à DEL jaune indiquent l'activité sur différents canaux.• Le nombre de clignotements consécutifs correspond au canal actif.

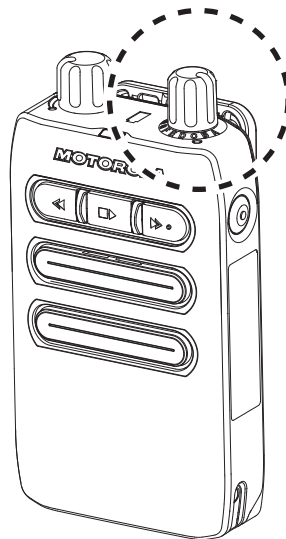
3.2

Interrupteur de fonction

L'interrupteur de fonction peut être configuré sur huit modes différents.

Les modèles avec cinq canaux peuvent être programmés sur différentes fréquences pour ces modes.

Figure 2 : Interrupteur de fonction



Écoute des canaux

Lorsque l'interrupteur de fonction est en position d'écoute, toutes les communications sur le canal sélectionné sont diffusées par le haut-parleur. En mode d'**écoute**, les options d'alerte sont fonctionnelles.

Balayage

Chaque mode fonctionnel peut balayer de deux à cinq canaux lorsque l'appareil est programmé avec deux ou plusieurs canaux.

3.3

Utilisation du bouton de réinitialisation

Où et quand utiliser :

Le bouton de **réinitialisation** est multifonctionnel.

Procédure :

Voici les conditions et les actions que vous pouvez effectuer à l'aide du bouton de **réinitialisation**.

Condition	Action
Après la réception d'une alerte si la fonction de réinitialisation n'est pas programmée pour une réinitialisation automatique ou si le délai de réinitialisation n'a pas expiré.	Pour remettre votre appareil en mode Veille , appuyez sur le bouton de réinitialisation .
L'option de confidentialité n'est pas activée.	Pour placer l'appareil en mode d' écoute avec silencieux ouvert, appuyez sur le bouton de réinitialisation et maintenez-le enfoncé.
Voyant de batterie	Pour afficher le niveau de charge de la batterie, appuyez brièvement sur le bouton de réinitialisation .
Push-to-Listen activé	Pour écouter un message entrant après avoir reçu une alerte, appuyez sur le bouton de réinitialisation .
Rappel de l'alerte de batterie extrêmement faible	Pour désactiver le rappel automatique de niveau de charge de batterie extrêmement faible, appuyez brièvement sur le bouton de réinitialisation pendant que le rappel est en cours.

Chapitre 4

Pour commencer

Cette section vous aide à vous familiariser avec le fonctionnement de base de l'appareil.

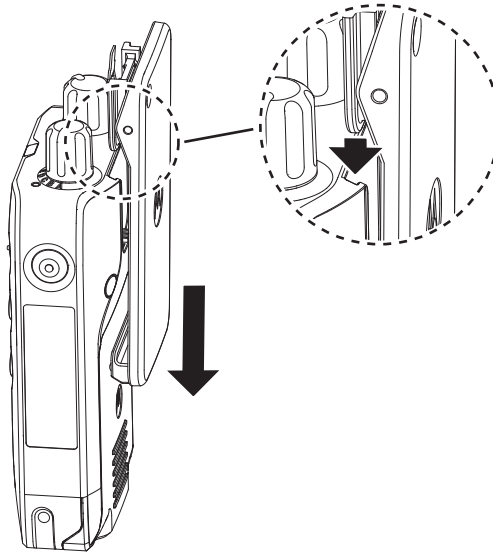
4.1

Fixation de la pince de ceinture

Procédure :

1. Alignez les rails de la pince sur les encoches à l'arrière de l'appareil.
2. Appuyez vers le bas jusqu'à ce que vous entendiez un clic.

Figure 3 : Fixation de la pince de ceinture



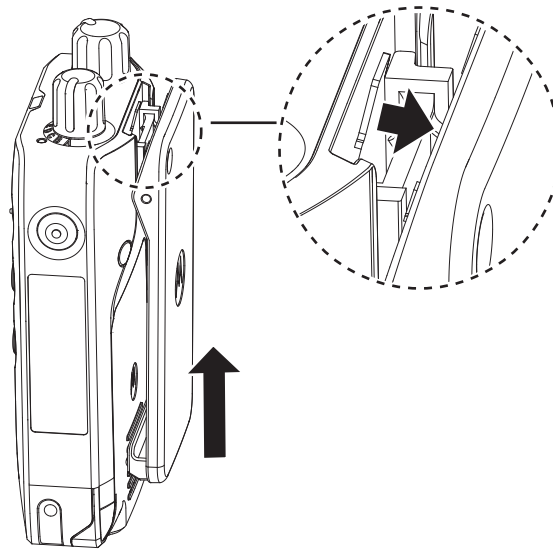
4.2

Retrait de la pince de ceinture

Procédure :

Pour retirer la pince, appuyez et faites glisser le loquet de la pince de ceinture vers le haut.

Figure 4 : Retrait de la pince de ceinture



4.3

Bloc-batterie

L'appareil est alimenté par un bloc-batterie.

Le bloc-batterie au lithium-ion, qui est un modèle UL à sécurité intrinsèque, est compatible en fonction du modèle que vous avez acheté.

4.4

Installation de la batterie

Préalables :

Pour des performances optimales, chargez complètement le bloc-batterie au lithium-ion avant de l'utiliser.



IMPORTANT :

Pour éviter tout dommage et vous conformer aux conditions de la garantie, chargez le bloc-batterie au moyen d'un chargeur approuvé par Motorola Solutions. Reportez-vous au *guide d'utilisation du chargeur standard du MINITOR 7 MN010321A01* et au *guide d'utilisation du chargeur amplificateur MINITOR 7 MN010322A01*.

Procédure :

1. Appuyez sur la pince de ceinture et maintenez-la enfoncée.
2. Alignez le bloc-batterie sur l'arrière de votre appareil.
3. Faites glisser le bloc-batterie vers le haut jusqu'au maximum.
4. Faites glisser le loquet en position de verrouillage.



REMARQUE :

Installez correctement le bloc-batterie pour que l'appareil s'allume.

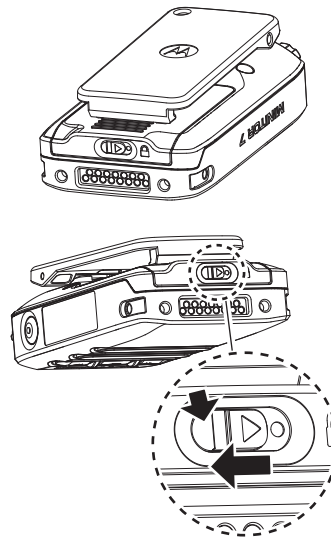
4.5

Retrait de la batterie

Procédure :

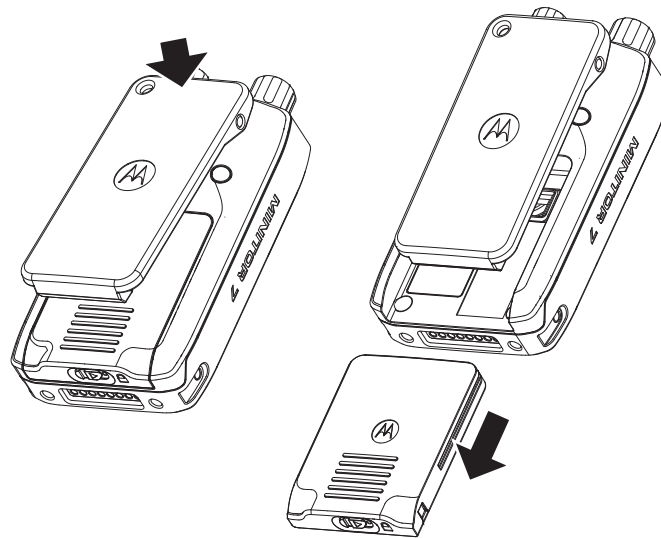
1. Appuyez sur le loquet et maintenez-le enfoncé. Faites glisser le loquet vers la gauche jusqu'à la position déverrouillée.

Figure 5 : Retrait de la batterie



2. Appuyez sur la pince de ceinture et maintenez-la enfoncée. Faites glisser le bloc-batterie vers le bas.

Figure 6 : Faire glisser la batterie



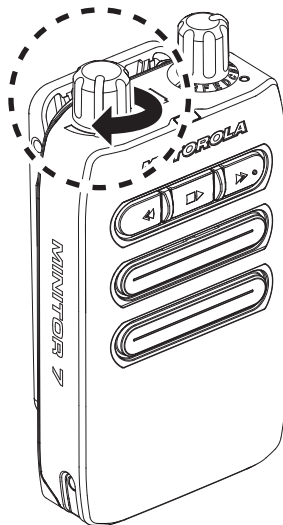
4.6

Allumer l'appareil

Procédure :

Tournez le bouton **Marche/Arrêt/Réglage du volume** dans le sens horaire jusqu'à ce que vous entendiez un déclic.

Figure 7 : Allumer l'appareil



Résultat :

Lorsque votre appareil est allumé, vous entendez un bip et l'appareil vibre en fonction de la programmation de l'**interrupteur de fonction**.



REMARQUE :

Assurez-vous que la batterie est correctement chargée et fixée. Si votre appareil ne s'allume pas après quelques tentatives, contactez votre détaillant.

4.7

Éteindre l'appareil

Procédure :

Tournez le bouton **Marche/Arrêt/Réglage du volume** dans le sens antihoraire au-delà de l'indicateur de niveau de volume blanc jusqu'à ce que vous entendiez un déclic, sauf si le mode **Économie de la batterie** est activé.



REMARQUE :

Consultez [Logiciel de programmation de l'appareil à la page 20](#) pour en savoir plus sur le mode **Économie de la batterie**.

4.8

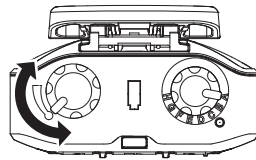
Réglage du volume

Procédure :

Effectuez l'une des actions suivantes :

- Pour augmenter le volume de l'appareil, tournez le bouton **Marche/Arrêt/Réglage du volume** dans le sens horaire.
- Pour réduire le volume de l'appareil, tournez le bouton **Marche/Arrêt/Réglage du volume** dans le sens antihoraire.

Figure 8 : Réglage du volume



REMARQUE :

L'appareil s'éteint lorsque vous tournez le bouton dans le sens antihoraire au-delà de l'indicateur blanc de niveau de volume, jusqu'à ce que vous entendiez un déclic.

4.9

Préparation de l'appareil pour son fonctionnement

Procédure :

1. Placez l'**interrupteur de fonction** en position de tonalité d'alerte et mettez l'appareil sous tension.
Vous entendez quatre bips. Le voyant à DEL clignote en rouge et en jaune pour indiquer que l'appareil est mis sous tension.
2. Placez l'**interrupteur de fonction** en position d'écoute.
3. Écoutez une transmission en réglant la commande de volume au niveau approprié.
4. Si aucune transmission n'est entendue, maintenez le bouton de **réinitialisation** enfoncé et réglez le volume du bruit de fond sur un niveau d'écoute confortable.
Si nécessaire, ajustez le volume lorsqu'un signal vocal est présent.
5. Placez l'**interrupteur de fonction** sur le mode de fonctionnement désiré, comme Appel sélectif, Écoute, ou Balayage avec tonalité et alerte par vibration.

Chapitre 5

Logiciel de programmation de l'appareil

Cette section fournit des renseignements sur le logiciel de programmation de l'appareil.

L'appareil prend en charge les fonctions suivantes :

- Durée de la boîte vocale
- Type d'annonce
- Annonces de l'interrupteur de fonction
- Annonce du niveau de la batterie
- Alerte de notification à volume fixe
- Durée du balayage prioritaire
- Durée de l'alerte de notification
- Rappel de message non lu
- Tonalité d'alerte prioritaire
- Alerte d'avertissement
- Confidentialité
- Toujours en marche
- Mode d'économie de la batterie
- Options de l'interrupteur de fonction
- Options de canal

Si votre modèle ne prend pas en charge les fonctions, communiquez avec un détaillant agréé de Motorola Solutions ou appelez le 1 800 548-9954 pour en savoir plus ou pour faire ajouter des fonctions.

5.1

Durée de la boîte vocale

Cette fonction vous permet de limiter la durée d'un message entrant à stocker.



REMARQUE :

Une durée plus courte permet de stocker un plus grand nombre de messages entrants.

L'appareil peut être programmé pour stocker des messages d'une durée fixe de 15, 30, 60 ou 120 secondes, ou d'une durée dynamique (illimitée).

5.2

Type d'annonce vocale

Cette fonction vous permet de sélectionner le type de voix pour les annonces.

Les types de voix disponibles pour les annonces sont les suivants :

- Voix masculine
- Voix féminine

5.2.1

Annonces de l'interrupteur de fonction

Cette fonction vous permet d'activer ou de désactiver les annonces vocales lorsque l'appareil est allumé ou lorsque l'**interrupteur de fonction** est placé dans une nouvelle position.

Les quatre options disponibles sont les suivantes :

Activé

Les annonces vocales sont activées.

Sur réinitialisation seulement

Les annonces vocales sont activées uniquement lorsque le bouton de **réinitialisation** est relâché.

Activé et sur réinitialisation

Les annonces vocales sont activées lorsque le bouton de **réinitialisation** est relâché.

Désactivé

Les annonces vocales sont désactivées.

5.2.2

Annonce du niveau de la batterie

Cette fonction vous permet d'activer ou de désactiver l'annonce vocale du niveau de batterie lorsque vous appuyez brièvement sur le bouton de **réinitialisation**.

Les deux options disponibles sont les suivantes :

Activé

Les annonces vocales sont activées.

Désactivé

Les annonces vocales sont désactivées.

5.3

Alerte de notification à volume fixe

Cette fonction vous permet de définir le niveau de volume de l'alerte de notification à son réglage le plus élevé.

Les deux options disponibles sont les suivantes :

Activé

Le volume de l'alerte de notification est défini à son niveau maximal. Le fait de tourner le bouton **Marche, Arrêt** ou **Réglage du volume** ne modifie que le niveau de volume du message vocal.

Désactivé

Le fait de tourner le bouton **Marche, Arrêt** ou **Réglage du volume** permet de modifier le niveau de volume du message vocal et de l'alerte de notification.

5.4

Durée du balayage prioritaire

Cette fonction vous permet de définir la durée d'attente de l'appareil avant le balayage des canaux prioritaires.

La durée du balayage prioritaire est comprise entre 0,064 seconde et 2,04 secondes. La durée de balayage par défaut est de 0,512 seconde.



REMARQUE :

Cette fonction est activée lorsque l'une des positions de l'**interrupteur de fonction** est configurée pour le balayage prioritaire.

Vous pouvez manquer un message entrant si le temps de balayage prioritaire est réglé à plus de 0,512 seconde.

5.5

Durée de l'alerte de notification

Cette fonction vous permet de définir la durée des alertes de notification.

Les deux options disponibles sont les suivantes :

Fixe

Vous pouvez définir une durée fixe comprise entre 0,5 seconde et 2 minutes.

Standard

L'alerte est d'une durée standard de deux tonalités.



REMARQUE :

Si la durée est fixe et dépasse la longueur de la seconde tonalité d'activation de l'appareil, vous pouvez manquer une partie ou l'intégralité d'un message en fonction de sa longueur.

5.6

Rappel de message non lu

Cette fonction vous permet d'activer ou de désactiver le rappel de message.

Les deux options disponibles sont les suivantes :

Activé

Rappel de message non lu activé.

Désactivé

Rappel de message non lu désactivé.

5.7

Tonalité d'alerte prioritaire

Cette fonction vous permet de remplacer le paramètre de vibration de l'interrupteur de fonction pour l'adresse d'appel 1 sur la fréquence 1 par une position de tonalité d'alerte.

Les deux options disponibles sont les suivantes :

Activé

L'appareil génère une tonalité d'alerte au lieu de vibrer pour indiquer un message entrant lorsque le type d'alerte est réglé sur vibreur pour l'interrupteur de fonction.

Désactivé

L'appareil émet une vibration pour indiquer un message entrant lorsque le type d'alerte est défini comme vibration pour l'interrupteur de fonction.

5.8

Alerte d'avertissement

Cette fonction permet d'activer ou de désactiver la tonalité d'avertissement.

Les deux options disponibles sont les suivantes :

Activé

Émet une tonalité d'alerte forte pour avertir les personnes à proximité d'une situation critique.

Désactivé

Désactive l'alerte.

5.8.1

Entrée et sortie de l'alerte d'avertissement

Préalables :

L'appareil est en état de veille.

Procédure :

1. Pour activer le mode d'**alerte d'avertissement**, appuyez sur le bouton d'**avance rapide** ou de **retour en arrière** et maintenez-le enfoncé.

L'appareil émet une tonalité d'alerte d'avertissement. Le niveau de la tonalité augmente progressivement jusqu'à atteindre le niveau maximal.

Le niveau maximal de cette tonalité d'alerte d'avertissement est indépendant de la position du bouton de volume.

2. Pour quitter le mode **Alerte d'avertissement**, réinitialisez l'appareil.

5.9

Confidentialité

Cette fonction vous permet de désactiver la possibilité d'écouter le canal lorsque vous appuyez sur le bouton de **réinitialisation** et le maintenez enfoncé.

La fonction de confidentialité n'est pas activée lorsque la fonction Push-To-Listen est activée pour les modes de balayage silencieux ou d'appel sélectif.

Les deux options disponibles sont les suivantes :

Activé

Le fait d'appuyer sur le bouton de **réinitialisation** et de le maintenir enfoncé ne règle pas l'appareil en mode Écoute.

Désactivé

Le fait d'appuyer sur le bouton de **réinitialisation** et de le maintenir enfoncé règle l'appareil en mode Écoute.

5.10

Toujours en marche

Cette fonction vous permet de garder l'appareil allumé, quelle que soit la position du bouton **Marche/Arrêt**.

Les deux options disponibles sont les suivantes :

Activé

L'appareil ne s'éteint pas lorsque le bouton **Marche/Arrêt** est placé à la position Arrêt.

Désactivé

L'appareil s'éteint lorsque le bouton **Marche/Arrêt** est placé à la position Arrêt.



REMARQUE :

Lorsque la fonction Toujours en marche est activée, l'appareil est mis hors tension lorsqu'on réinsère la batterie en faisant passer le bouton de volume de la position Arrêt à la position Marche.

5.11

Mode d'économie de la batterie

Cette fonction vous permet de définir le cycle de veille de l'appareil pendant la période d'inactivité.

Un cycle de veille plus court améliore la fiabilité des alertes de l'appareil tout en consommant davantage de batterie.

Les trois options disponibles sont les suivantes :

Normal

Le temps de veille en appel sélectif, mode d'écoute, balayage prioritaire, balayage normal et balayage silencieux est réglé à 430 ms.

Moitié

Le temps de veille est réduit à 120 ms pour les modes d'appel sélectif, d'écoute, de balayage prioritaire et de balayage normal. Le temps de veille est désactivé en mode de balayage silencieux.

Désactivé

Désactive le mode d'économie de la batterie pour tous les modes.

5.12

Options de l'interrupteur de fonction

Cette section fournit des renseignements sur les huit positions de l'**interrupteur de fonction**, qui sont libellées de A à H.

5.12.1

Mode

Cette option vous permet de sélectionner le mode de fonctionnement pour différentes positions de l'**interrupteur de fonction**.

Les six options disponibles sont les suivantes :

Appel sélectif

- Ce mode vous permet de détecter les notifications à deux tonalités et à longue tonalité. Une seule fréquence peut être écoutée pour les tonalités en tout temps. Lorsqu'une notification est détectée, l'appareil génère une alerte de notification et stocke le message.

- En mode d'appel sélectif, l'audio reste coupé jusqu'à ce qu'une notification soit reçue. L'appareil vous alerte pour vous indiquer que le silencieux de la porteuse est activé. L'audio se désactive en fonction du mode de réinitialisation en cours.
- Les options programmables supplémentaires disponibles sont Service désactivé, Tonalité d'alerte prioritaire, Push-To-Listen et Mode confidentialité.

**REMARQUE :**

L'alerte de notification peut être de type signal sonore ou vibration selon la position de l'**interrupteur de fonction**.

Vous pouvez régler l'appel sélectif sur cinq fréquences différentes, libellées F1, F2, F3, F4 et F5.

Écoute

- Ce mode vous permet d'écouter l'activité sur une fréquence programmée, comme le silencieux de la porteuse.
- Une seule fréquence peut être écoutée à la fois. Lorsqu'une notification est détectée, l'appareil génère une alerte de notification et stocke le message.

**REMARQUE :**

Vous pouvez régler l'écoute sur cinq fréquences différentes, libellées F1, F2, F3, F4 et F5.

Balayage de probabilité

- Ce mode vous permet d'écouter le trafic sur deux à cinq fréquences différentes.
- L'appareil écoute l'activité sur la fréquence. Si une activité est détectée sur la fréquence, le récepteur se verrouille sur la fréquence jusqu'à ce que la transmission prenne fin.
- Lorsque l'appareil est verrouillé sur la fréquence balayée, l'appareil émet une alerte sur les tonalités correspondant à cette fréquence et commence à stocker le message. L'audio se désactive en fonction du mode de réinitialisation en cours. Le récepteur reprend l'activité de balayage.

**REMARQUE :**

Aucune fréquence n'a la priorité d'écoute sur les autres fréquences.

Balayage prioritaire

- Ce mode vous permet d'écouter le trafic sur deux à cinq fréquences différentes.
- Une fréquence doit être préprogrammée comme fréquence prioritaire. Les autres fréquences sont préprogrammées comme fréquences non prioritaires.
- Si le récepteur se trouve en mode Balayage et écoute l'activité sur une fréquence non prioritaire, il balaye la fréquence prioritaire à intervalles programmés. Si une activité est détectée sur la fréquence prioritaire, le récepteur se verrouille sur cette fréquence. Le balayage est interrompu jusqu'à ce qu'il n'y ait plus d'activité sur la fréquence prioritaire.
- Le récepteur reprend l'activité de balayage prioritaire. L'appareil avertit uniquement s'il détecte des tonalités d'alerte sur la fréquence prioritaire. L'audio se désactive en fonction du mode de réinitialisation en cours. La détection d'adresses est désactivée pour la fréquence non prioritaire.

**REMARQUE :**

Le balayage s'effectue en priorité sur la fréquence prioritaire.

Balayage silencieux

- Ce mode vous permet d'écouter le trafic sur deux fréquences différentes.
- Le récepteur balaie tour à tour les deux fréquences et l'audio reste coupé. Lorsqu'une notification est détectée, l'appareil génère une alerte de notification et stocke le message.

- L'audio s'active immédiatement lors de la réception d'une notification après l'alerte de notification (activation du silencieux de la porteuse). L'audio se désactive en fonction du mode de réinitialisation en cours. Le récepteur reprend l'activité de balayage silencieux.

**REMARQUE :**

Les fréquences n'ont pas de priorité d'écoute sur l'autre fréquence.

Désactivé

- Ce mode vous permet de désactiver une position de l'**interrupteur de fonction**.
- Lorsque ce mode est programmé, l'appareil émet une tonalité de basse fréquence lorsque le bouton de canal passe à la position de l'**interrupteur de fonction**.

5.12.2

Type d'alerte

Cette option vous permet de définir le type d'alerte que vous pouvez activer lorsque l'appareil est mis sous tension ou lors de la réception d'une notification.

Les trois types d'alerte disponibles sont les suivants :

Tonalité

L'appareil émet une tonalité.

Vibration

L'appareil vibre.

Tonalité et vibration

L'appareil émet une tonalité et vibre en même temps.

**REMARQUE :**

L'appareil n'émet pas d'alerte lorsqu'il se trouve dans le chargeur amplificateur s'il est réglé sur vibration.

5.12.3

Annonces

Cette fonction vous permet de définir le type d'annonce lorsque vous activez les annonces de l'**interrupteur de fonction**.

Lorsque l'appareil est mis sous tension ou lorsque l'**interrupteur de fonction** est déplacé vers une nouvelle position, l'appareil diffuse les annonces.

Les trois types d'annonce disponibles sont les suivants :

Standard

Annonce le mode, le numéro de fréquence et le type d'alerte qui sont programmés pour la position actuelle de l'interrupteur. Pour le balayage prioritaire, la première fréquence annoncée est le canal prioritaire.

Amélioré

L'appareil annonce l'activation ou la désactivation du service, l'option Push-To-Listen, l'alerte de priorité et le mode confidentialité lorsqu'ils sont programmés pour la position actuelle de l'interrupteur.

Personnalisé

Émet les annonces de l'**interrupteur de fonction** personnalisées stockées. Vous pouvez stocker jusqu'à huit différentes annonces personnalisées dans l'appareil.

5.12.4

Permettre le service Activé/Désactivé

Cette option vous permet de programmer une adresse particulière comme étant hors service et vous permet d'ignorer cette adresse.

Cette option est uniquement disponible pour les modes d'appel sélectif et de balayage silencieux.

Lorsque vous cliquez sur la case à cocher, la sélection Activé et Désactivé est activée dans l'onglet du canal.



REMARQUE :

Lorsque vous programmez l'activation ou la désactivation du service des adresses pour différentes positions de canal, veillez à programmer une adresse en tant que service activé.

5.12.5

Push-To-Listen

Cette option est uniquement disponible pour les modes d'appel sélectif et de balayage silencieux.

Lorsque vous activez l'option Push-To-Listen après les alertes de notifications, maintenez le bouton de **réinitialisation** enfoncé pour écouter le message entrant. Cette option n'a pas d'incidence sur le processus d'enregistrement vocal.

Le type d'alerte est réglé sur vibreur par défaut. Il est compatible avec le mode Service désactivé si l'adresse d'appel est définie en tant que service activé ou désactivé.

5.13

Options de canal

Vous pouvez programmer jusqu'à cinq fréquences de réception différentes avec leurs paramètres correspondants tels que la bande passante, le système de tonalité et l'option de codage.

5.13.1

Bande passante du canal

L'appareil peut fonctionner sur une séparation des canaux de 12,5 kHz (bande étroite) ou de 25 kHz (large bande).

5.13.2

Fonction de réinitialisation

Permet de définir la méthode de réinitialisation de l'appareil après réception d'une notification.

Les huit fonctions de réinitialisation disponibles sont les suivantes :

Automatique

Réinitialise l'appareil lorsque la porteuse tombe.

Différé

Attend pendant un court instant avant de vérifier si l'onde porteuse est perdue ou non pour réinitialiser l'appareil.

Coupé différé

Attend pendant un court instant avant de vérifier si l'onde porteuse est perdue ou non pour réinitialiser l'appareil. Coupe le haut-parleur et l'enregistrement vocal stocké lorsque la porteuse tombe.

Rétablir

Revient au mode d'écoute après la réception d'une notification d'appel sélectif.

Rétablir différé

Attendez pendant un court instant avant de vérifier si l'onde porteuse est perdue ou non, puis revient en mode d'écoute.

Coupé Rétablir différé

Attendez pendant un court instant avant de vérifier si l'onde porteuse est perdue ou non, puis revient en mode d'écoute. Coupe le haut-parleur et l'enregistrement vocal stocké lorsque la porteuse tombe.

Expiration du délai

Réinitialise l'appareil après la durée préprogrammée.

Manuel

L'audio reste activé lorsque vous appuyez sur le bouton de **réinitialisation** en modes Appel sélectif et Balayage silencieux.

5.13.3

Alertes sonores et par vibration

Permet de déterminer, pour chaque adresse d'appel, la tonalité d'alerte à émettre et le modèle de vibration à déclencher lors de la réception d'une notification.

Pour chaque canal, l'appareil peut prendre en charge jusqu'à 15 adresses d'appel, dont 10 adresses individuelles et 5 adresses de groupes. Chaque adresse d'appel peut être programmée pour une alerte avec différentes tonalités et différents modèles de vibration.

Tonalité d'alerte

Choisissez parmi dix tonalités préprogrammées et jusqu'à cinq alertes audio personnalisées.

Alerte par vibration

Sélectionnez un modèle de vibration continue ou pulsée.



REMARQUE :

Selon le paramètre de l'option de type d'alerte de l'interrupteur de fonction, l'appareil émet une alerte sonore, une alerte par vibration ou une alerte combinée sonore et par vibration.


5.13.4


Régler le niveau du silencieux

Cette fonction permet de régler la valeur du silencieux.

Procédure :

Réglez le niveau du silencieux à l'aide des options suivantes.

Option	Actions
Réglage du niveau du silencieux à l'aide du logiciel de programmation	Sélectionnez une valeur du silencieux entre 1 et 5 à l'aide du curseur. La valeur par défaut est 3.  REMARQUE : <ul style="list-style-type: none">○ Niveau 1 – l'appareil fonctionne en silencieux filtré.○ Niveau 5 – l'appareil fonctionne en silencieux libre.

Option	Actions
Réglage du niveau du silencieux à l'aide de l'appareil	<p>Effectuez les opérations suivantes :</p> <ul style="list-style-type: none">○ Pour augmenter le niveau du silencieux, appuyez simultanément sur les boutons Avance rapide et Lecture et maintenez-les enfoncés.○ Pour diminuer le niveau du silencieux, appuyez simultanément sur les boutons Retour rapide et Lecture et maintenez-les enfoncés. <p> REMARQUE : Cette fonction n'est pas opérationnelle en mode balayage.</p>

Chapitre 6

Commandes et fonctions vocales

L'appareil peut stocker au moins huit minutes de messages vocaux. Les messages sont stockés en fonction de leur longueur.

L'appareil peut être programmé pour stocker des messages d'une durée fixe de 30, 60 ou 120 secondes.

Le MINITOR 7 offre les commandes suivantes pour la gestion des messages stockés :

- Avance rapide
- Retour rapide
- Passer au suivant
- Revenir au précédent
- Verrouiller
- Déverrouiller
- Supprimer tout

6.1

Fonctionnement de la boîte vocale

Seuls les messages correctement codés peuvent être enregistrés.

Le cycle d'enregistrement des messages se termine dans les conditions suivantes :

- Lorsque l'appareil atteint la durée de la boîte vocale.
- Lorsque le circuit de silencieux ne détecte plus l'onde porteuse et qu'aucune minuterie de réinitialisation de la fonction n'est active.
- Lorsque le cycle de réinitialisation différé prend fin et que l'onde porteuse n'est plus détectée.
- Lorsque le cycle de réinitialisation Expiration du délai prend fin.



REMARQUE :

L'appareil ne stocke pas les autres communications écoutées sur le canal.

Si un trafic sur le canal survient après la notification et le message, et avant la perte du signal de la porteuse, les messages sont stockés en mémoire.

6.2

Gestion des messages stockés

Votre appareil fournit des fonctionnalités étendues pour gérer les messages stockés.

Vous disposez pour cela de trois boutons multifonctions situés à l'avant de l'appareil.

6.2.1

Gestion des messages stockés

Procédure :

- Pour lire un message particulier stocké dans la mémoire de votre appareil, appuyez sur le bouton **Lecture**.
 - Pour lire le message le plus récent, appuyez sur le bouton en mode Veille.
 - Pour arrêter la lecture du message, appuyez sur le bouton en mode Lecture.
 - Pour lire les messages verrouillés, appuyez sur le bouton en mode Veille et maintenez-le enfoncé.
 - Pour verrouiller ou déverrouiller le message, appuyez sur le bouton en mode Lecture et maintenez-le enfoncé.
- Pour passer au message suivant ou pour avancer rapidement dans le message en cours, appuyez sur le bouton **Avance rapide**.
 - Pour passer au message suivant, appuyez sur le bouton.
 - Pour avancer rapidement dans le message en cours, appuyez sur le bouton et maintenez-le enfoncé.
- Pour revenir au message précédent ou reculer dans le message en cours, appuyez sur le bouton **Retour rapide**.
 - Pour revenir au message précédent, appuyez sur le bouton.
 - Pour reculer dans le message en cours, appuyez sur le bouton.

Chapitre 7

Réparation et maintenance

Pour obtenir des renseignements sur la réparation et la maintenance, composez le 1 800 548-9954.

Chapitre 8

Liste des accessoires approuvés

Motorola Solutions fournit une liste d'accessoires pour améliorer la productivité de votre appareil.

Tableau 3 : Accessoires

Numéro de pièce	Description
RLN8640_	Pince de ceinture pour accessoire de transport MINITOR 7
PMLN8591_	Étui de transport en nylon MINITOR 7
PMNN4438_	Batterie au lithium-ion TIA IP56
RLN8638_	Trousse de chargeur standard MINITOR 7
RLN8639_	Trousse de chargeur amplificateur MINITOR 7

Chapitre 9

Garantie des batteries et des chargeurs

Garantie de fabrication

La garantie de fabrication couvre les défauts de fabrication dans des conditions d'utilisation et d'entretien normales.

Produits couverts par la garantie	Durée de la couverture
Batteries au lithium-ion (Li-ion)	Un (1) an
Chargeurs	Un (1) an

Garantie de capacité

La garantie de capacité assure une capacité égale à 80 % de la capacité nominale pendant la durée de la garantie.

Produits couverts par la garantie	Durée de la couverture
Batteries au lithium-ion (Li-ion)	Un (1) an

Chapitre 10

Garantie limitée

10.1

PRODUITS DE COMMUNICATION MOTOROLA SOLUTIONS

10.2

I. PROTECTION ASSURÉE PAR LA PRÉSENTE GARANTIE ET DURÉE DE CELLE-CI

Motorola Solutions Inc. (« Motorola Solutions ») garantit les produits de communication identifiés ci-dessous (le « Produit ») fabriqués par Motorola Solutions contre tout défaut de matériel ou de fabrication dans des conditions normales d'utilisation et d'entretien, pour une période suivant la date d'achat, tel qu'il est stipulé ci-dessous :

Produits couverts par la garantie	Durée de la couverture
MINITOR 7	Deux (2) ans
Accessoires du produit (incluant les batteries et les chargeurs)	Un (1) an

À sa discrétion, Motorola Solutions réparera sans frais le Produit (avec des pièces neuves ou remises à neuf), le remplacera (par un produit neuf ou remis à neuf) ou remboursera le prix d'achat du Produit durant la période de garantie, à condition que le Produit soit retourné au lieu d'achat conformément aux modalités de la présente garantie. Les pièces et les cartes remplacées sont garanties pour le reste de la période de garantie d'origine. Toute pièce remplacée du Produit devient la propriété de Motorola Solutions.

Cette garantie limitée expresse est accordée par Motorola Solutions à l'acheteur ou à l'utilisateur final d'origine seulement, et ne peut être ni transférée ni cédée à un tiers. La présente garantie constitue la garantie complète du Produit fabriqué par Motorola Solutions. Motorola Solutions n'assume aucune obligation ni responsabilité pour tout ajout ou toute modification à la présente garantie, sauf en présence d'un document écrit et signé par un cadre supérieur de Motorola Solutions.

Sauf dans le cadre d'une entente distincte conclue entre Motorola Solutions et l'acheteur utilisateur final d'origine, Motorola Solutions ne garantit pas l'installation, l'entretien, ni la réparation du Produit.

Motorola Solutions se dégage de toute responsabilité à l'égard de tout équipement ou accessoire qui n'est pas fourni par Motorola Solutions et qui est branché sur le Produit ou utilisé conjointement avec celui-ci, ainsi qu'à l'égard du fonctionnement du Produit utilisé conjointement avec tout équipement ou accessoire, et tous les équipements de cette nature sont expressément exclus de la présente garantie. Compte tenu du caractère unique de chaque système pouvant utiliser le Produit, Motorola Solutions se dégage de toute responsabilité à l'égard de la portée, de la diffusion et du fonctionnement du système dans son ensemble.

10.3

II. CONDITIONS GÉNÉRALES

La présente garantie précise l'entière responsabilité de Motorola Solutions à l'égard du Produit. À la discrétion de Motorola Solutions, la réparation du Produit, son remplacement ou le remboursement de son prix d'achat constituent le seul recours. CETTE GARANTIE REMPLACE TOUTE AUTRE GARANTIE EXPRESSE. TOUTES LES GARANTIES IMPLICITES, COMPRENANT, SANS LIMITATION, LES GARANTIES IMPLICITES DE QUALITÉ MARCHANDE ET D'ADAPTATION À UN USAGE PARTICULIER, SONT LIMITÉES À LA PÉRIODE DÉFINIE PAR CETTE GARANTIE LIMITÉE. DANS LA MESURE AUTORISÉE PAR LA LOI, MOTOROLA SOLUTIONS NE POURRA EN AUCUN CAS ÊTRE TENUE RESPONSABLE DE DOMMAGES DONT LA VALEUR DÉPASSE LE PRIX D'ACHAT DU PRODUIT, NI À L'ÉGARD DES PERTES DE JOUISSANCE, DES PERTES DE TEMPS, DES DÉRANGEMENTS, DES PERTES COMMERCIALES, DES PERTES DE PROFIT OU D'ÉCONOMIES, NI RELATIVEMENT À TOUT AUTRE DOMMAGE ACCESSOIRE, SPÉCIAL OU INDIRECT RÉSULTANT DE L'UTILISATION OU DE L'INCAPACITÉ D'UTILISER CE PRODUIT.

10.4

III. DROITS PRÉVUS PAR LES LOIS PROVINCIALES :

CERTAINES PROVINCES NE PERMETTENT AUCUNE EXCLUSION NI LIMITATION QUANT AUX DOMMAGES CONSÉCUTIFS OU INDIRECTS, NI AUCUNE LIMITE SUR LA DURÉE D'UNE GARANTIE IMPLICITE, DE SORTE QUE LES LIMITES OU EXCLUSIONS MENTIONNÉES PLUS HAUT PEUVENT NE PAS S'APPLIQUER DANS VOTRE CAS.

La présente garantie confère des droits juridiques précis et il est possible que vous jouissiez d'autres droits, selon votre province de résidence.

10.5

IV. RÉPARATION DANS LE CADRE DE LA GARANTIE

Pour que la réparation soit couverte par la garantie, vous devez fournir une preuve d'achat (portant la date d'achat et le numéro de série du Produit). De plus, vous devez livrer ou expédier le Produit, en payant d'avance les frais de transport et d'assurance, à un centre de service homologué. Les réparations sous garantie seront effectuées par Motorola Solutions à l'un de ses centres de service autorisés. Dans certains cas, il est plus facile de recevoir les services de garantie en s'adressant d'abord à l'entreprise qui vous a vendu le Produit (par exemple, le détaillant ou votre fournisseur de services de télécommunication). Vous pouvez également appeler Motorola Solutions au 1 800 927-2744.

10.6

V. CE QUI N'EST PAS COUVERT PAR CETTE GARANTIE

1. Les défauts et dommages résultant de l'utilisation du Produit autrement que dans des conditions normales et habituelles.
2. Les défauts et dommages résultant d'une mauvaise utilisation, d'un accident, de la négligence ou de l'exposition à des liquides.

3. Les défauts et dommages résultant de méthodes d'essai, de fonctionnement, d'entretien, d'installation, de modification ou de réglage non adéquates.
4. Les bris et dommages des antennes, sauf si cela est causé directement par un défaut de fabrication ou de main-d'œuvre.
5. Un Produit soumis à des modifications, à des réparations ou à un démontage non autorisés (y compris, sans s'y limiter, l'ajout au Produit d'un équipement quelconque non fourni par Motorola Solutions) et qui ont un effet négatif sur le rendement du Produit ou qui nuisent à l'inspection ou à l'essai normal sous garantie du Produit par Motorola Solutions en cas de réclamation.
6. Tout produit dont le numéro de série a été supprimé ou rendu illisible.
7. Batteries rechargeables si une protection étanche du boîtier protégeant les cellules de la batterie a été rompue ou présente des signes d'altération.
8. Batteries rechargeables si le dommage ou la défektivité sont provoqués par la charge ou l'utilisation de la batterie dans un équipement ou avec un service autre que ceux qui sont spécifiés pour le Produit.
9. Frais de transport vers l'atelier de réparation.
10. Tout Produit qui, à cause de modifications illégales ou interdites apportées au logiciel ou au micrologiciel du Produit, ne fonctionne pas conformément aux spécifications énoncées par Motorola Solutions ou sur l'étiquette de conformité de la FCC en vigueur pour le Produit lorsque le Produit a été initialement distribué par Motorola Solutions.
11. Les égratignures et autres dommages superficiels ne nuisant pas au fonctionnement du produit.
12. L'usure et le vieillissement normaux et habituels.

10.7

VI. DISPOSITIONS RELATIVES AUX BREVETS ET AUX LOGICIELS

Motorola Solutions défendra à ses frais toute poursuite menée en justice contre l'acheteur dans la mesure où la poursuite revendique que le Produit ou certaines de ses pièces enfreignent un brevet des États-Unis, et Motorola Solutions paiera les frais et dommages finalement accordés au détriment de l'acheteur dans toute poursuite judiciaire attribuable à une quelconque revendication de cette nature, une telle défense et un tel paiement étant soumis aux conditions suivantes :

1. Motorola Solutions doit être rapidement notifiée, par écrit, d'une telle réclamation par l'acheteur;
2. Motorola Solutions maîtrisera entièrement la défense de l'action juridique et toutes les négociations d'accord ou de compromis;
3. Si le Produit ou les pièces font ou, de l'avis de Motorola Solutions, peuvent faire l'objet d'une poursuite pour contrefaçon d'un brevet américain ou canadien, l'acheteur accordera le droit à Motorola Solutions, à la discrétion et aux frais de cette dernière, soit de procurer à l'acheteur le droit de continuer d'utiliser le Produit ou les pièces, soit de remplacer ou de modifier ces derniers de manière à ce qu'ils n'enfreignent plus le brevet, soit d'accorder à l'acheteur un crédit équivalent à la valeur dépréciée du Produit ou des pièces et d'accepter de reprendre ceux-ci. La dépréciation représentera un montant égal pour chaque année de durée de vie utile du Produit ou des pièces, tel que déterminé par Motorola Solutions.

Motorola Solutions se dégage de toute responsabilité à l'égard de toute poursuite pour contrefaçon de brevet fondée sur une adaptation du Produit ou des pièces mentionnées dans la présente à un logiciel, un appareil ou un équipement non fourni par Motorola Solutions. Motorola Solutions se dégage également de toute responsabilité à l'égard de tout équipement ou logiciel qui n'est pas fourni par Motorola Solutions et qui est rattaché au Produit ou utilisé conjointement avec ce dernier. Ce qui précède énonce l'entière responsabilité de Motorola Solutions pour la contrefaçon de brevets relative au Produit ou à toute pièce de ce dernier.

Les lois au Canada, aux États-Unis et dans d'autres pays protègent au nom de Motorola Solutions certains droits exclusifs visant les logiciels, comme ceux de reproduire des copies et de distribuer des copies desdits logiciels Motorola Solutions. Les logiciels Motorola Solutions ne peuvent être utilisés qu'avec le Produit à l'intérieur duquel ils étaient installés à l'origine. Il est interdit de remplacer, de copier, de distribuer, de modifier d'une quelconque façon et d'utiliser le logiciel à l'intérieur du Produit en vue de fabriquer un quelconque produit dérivé. Aucune autre utilisation, y compris, sans s'y limiter, l'altération, la modification, la reproduction, la distribution ou l'ingénierie à rebours, d'un quelconque logiciel Motorola Solutions n'est permise. Aucune licence n'est accordée pour inférence, estoppel ou autre en vertu des droits de brevets ou des droits d'auteur de Motorola Solutions ou de tiers.

10.8

VII. LOI APPLICABLE

Cette garantie est régie par les lois de l'État de l'Illinois, É.-U.